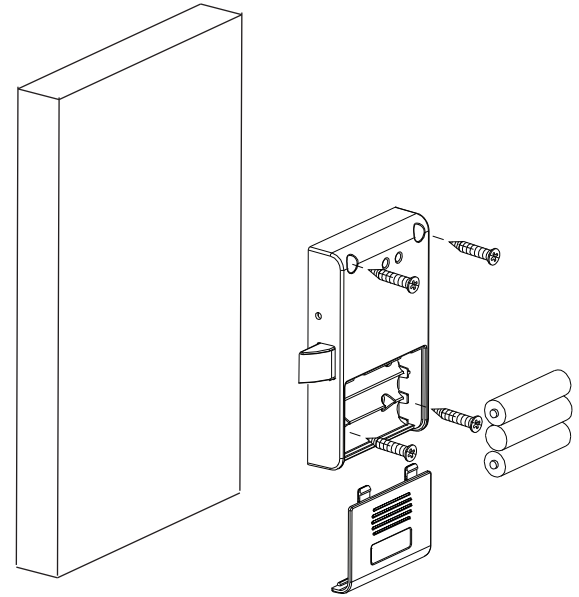
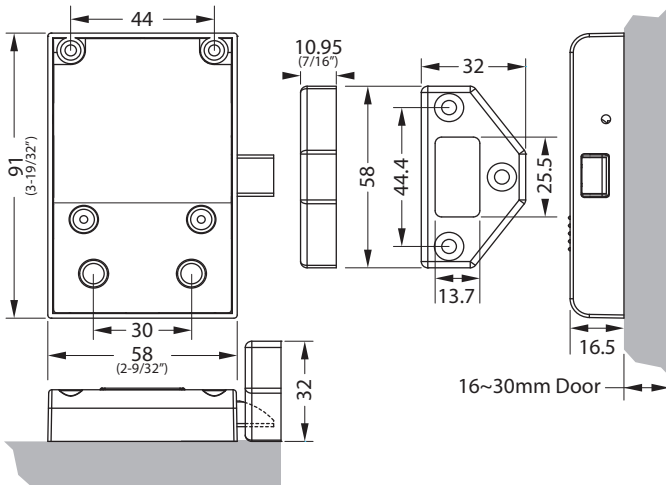
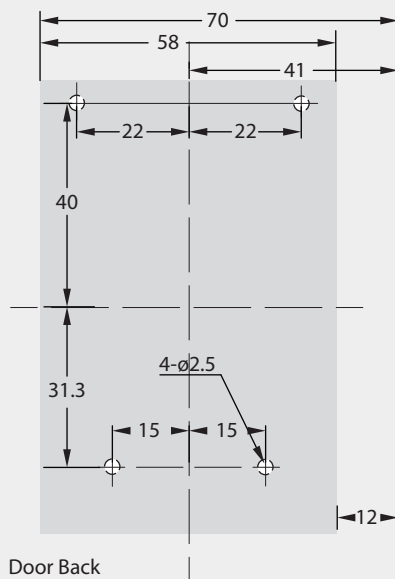


Installation & Programming Guide

DGL-RF-CAB-BK

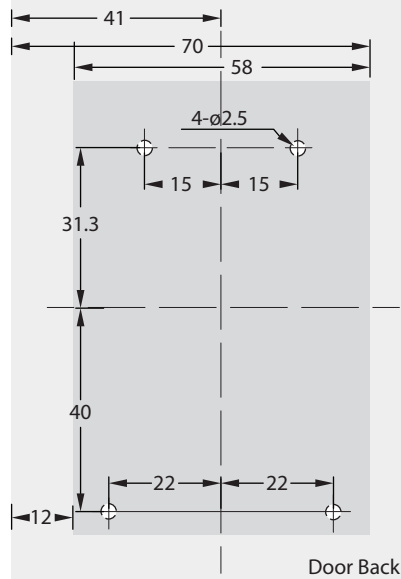


Drill boreholes from back of door

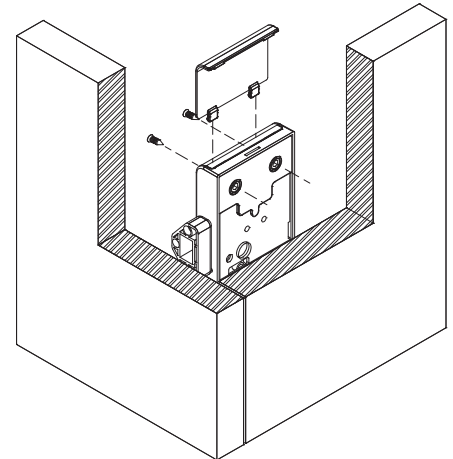
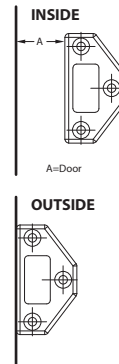


LEFT

Drill boreholes from back of door



RIGHT



MASTER USER:

- Press **B** for 5 seconds
- Lock will flash blue light
- Tap management card against lock
- Lock will flash blue light again
- **Management card is set**

USER CARD or SERVICE CARD:

- Tap Management card to lock
- Lock will flash light
- While flashing, tap User card to lock
- Lock will flash light again
- **User card is set** (Can set multiple User cards at once)

DELETING USER CARD or SERVICE CARD:

- Place Management card to the lock
- A blue light will flash with a beep sound, indicating lock is open
- Place a User card to the lock
- Light will flash with a beep sound
- **User card is deleted when light goes off**

A long beep sound with flashing red light indicated LOW BATTERY.