

CG-18 Clear Polycarbonate Corner Guard

Features:

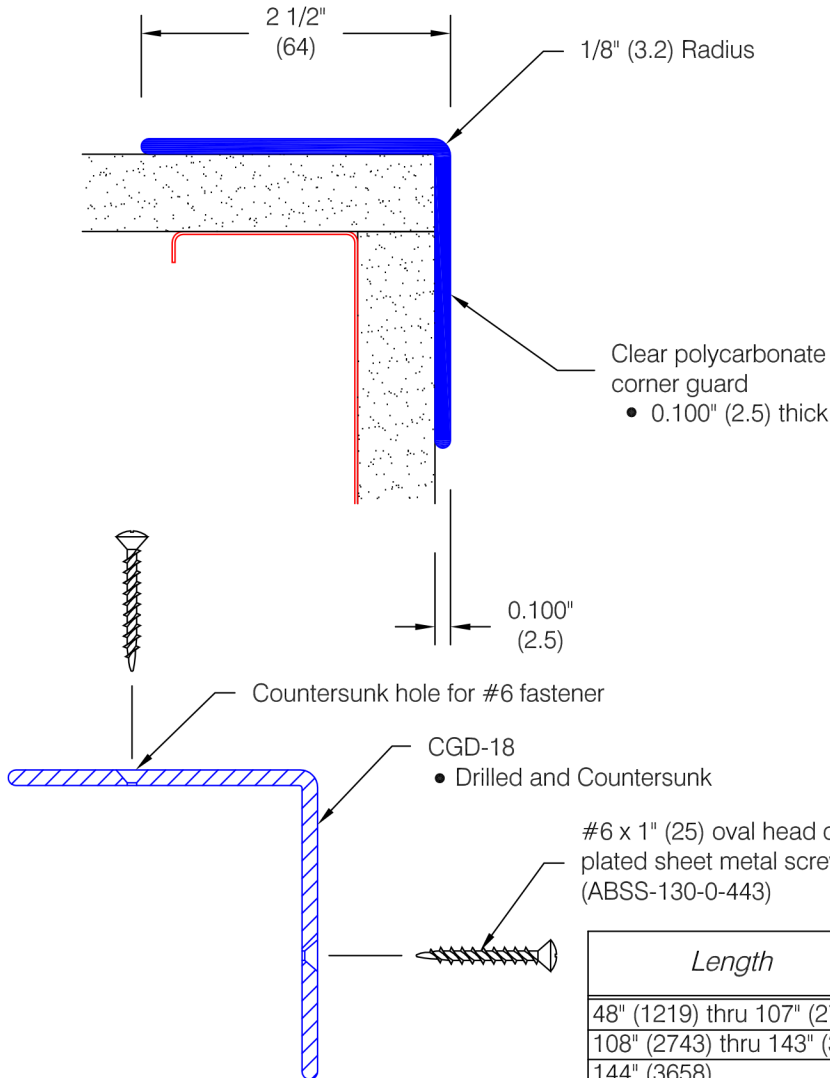
- Extruded Polycarbonate
- U/L 94 Flammability:
 - V-2 @ 0.125
 - V-2 @ 0.0625
 - V-0 @ 0.2500
- Stock lengths 4'-0" (1219) and 8'-0" (2438)
- Custom lengths available
- Mechanical fasteners

Finishes:

- Clear #132 smooth finish
- Manufacturer's standard colors (optional)

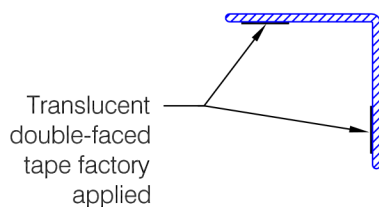
Mounting Options:

- Double-faced tape
- Undrilled (fastening method by others)

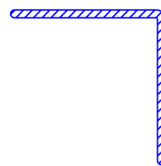


Length	Total # of Screws
48" (1219) thru 107" (2718)	6
108" (2743) thru 143" (3632)	8
144" (3658)	10

Standard Screw Mounted



Optional Tape Mounted
(Specify CGT-18)



Optional Undrilled
(Specify CGU-18)

