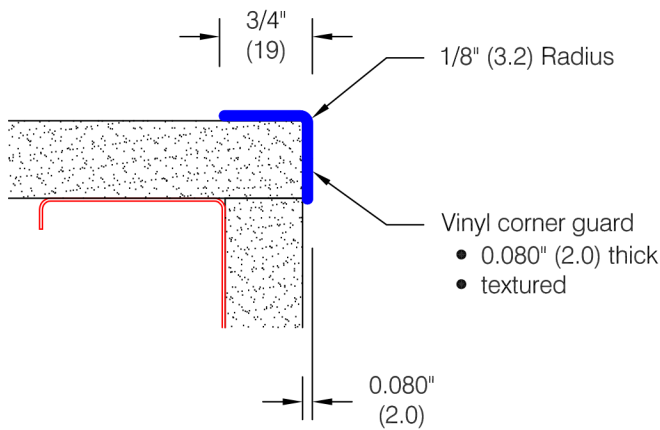


CG-34 Corner Guard



Features:

- Class A fire rating
- Stock lengths:
 - 4'-0" (1219), 8'-0" (2348) & 12'-0" (3658)

Finishes:

- Manufacturer's standard colors
- Custom colors available

Mounting Options:

- Adhesive
 - ADH-30 adhesive supplied separately
- Taped
 - ADH-4042 double sided adhesive tape factory applied to corner guard

