

Bookcase Hardware

Model BC-1

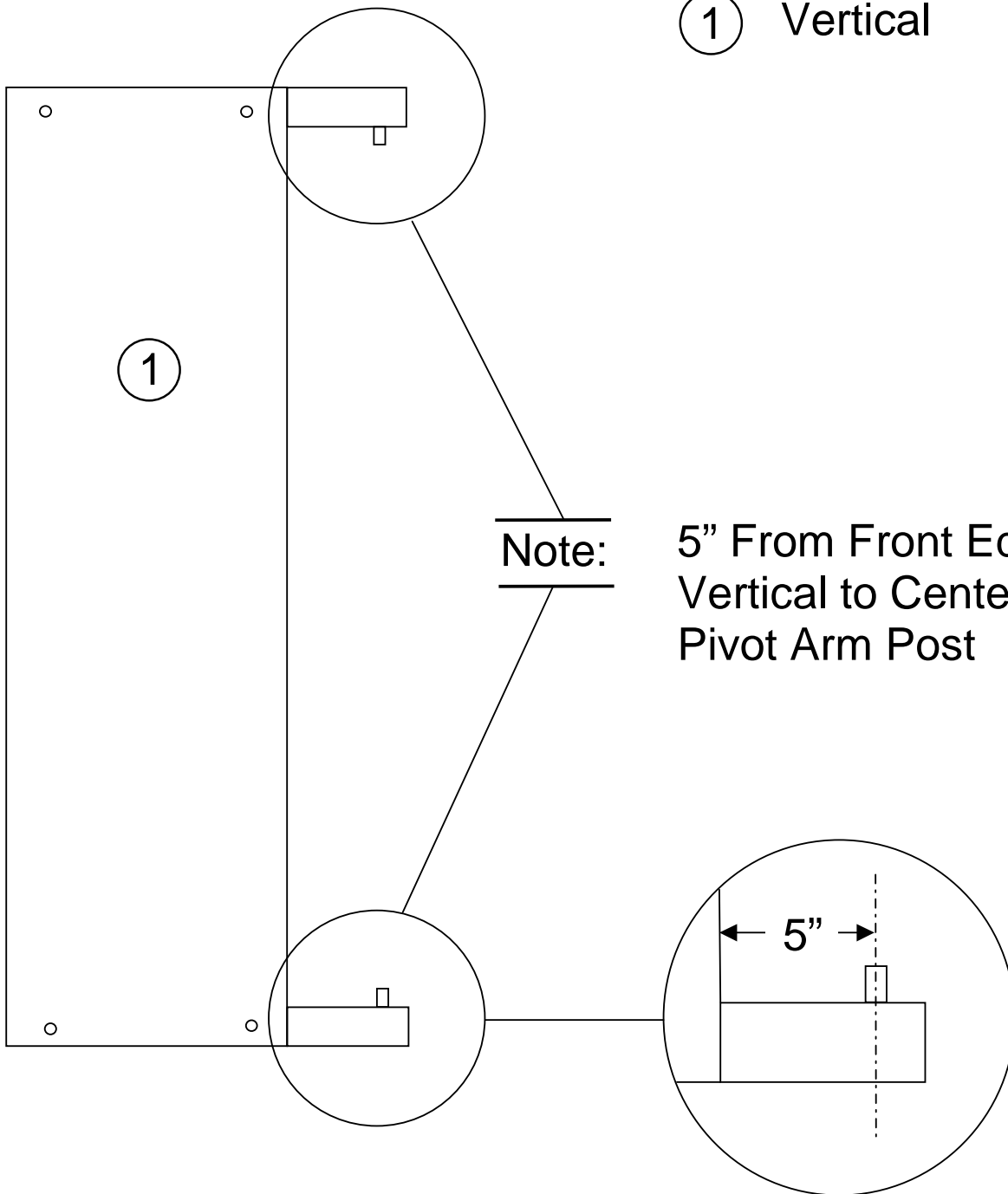
Pivoting Shelf Units for Murphy Beds

Contents of Hardware package

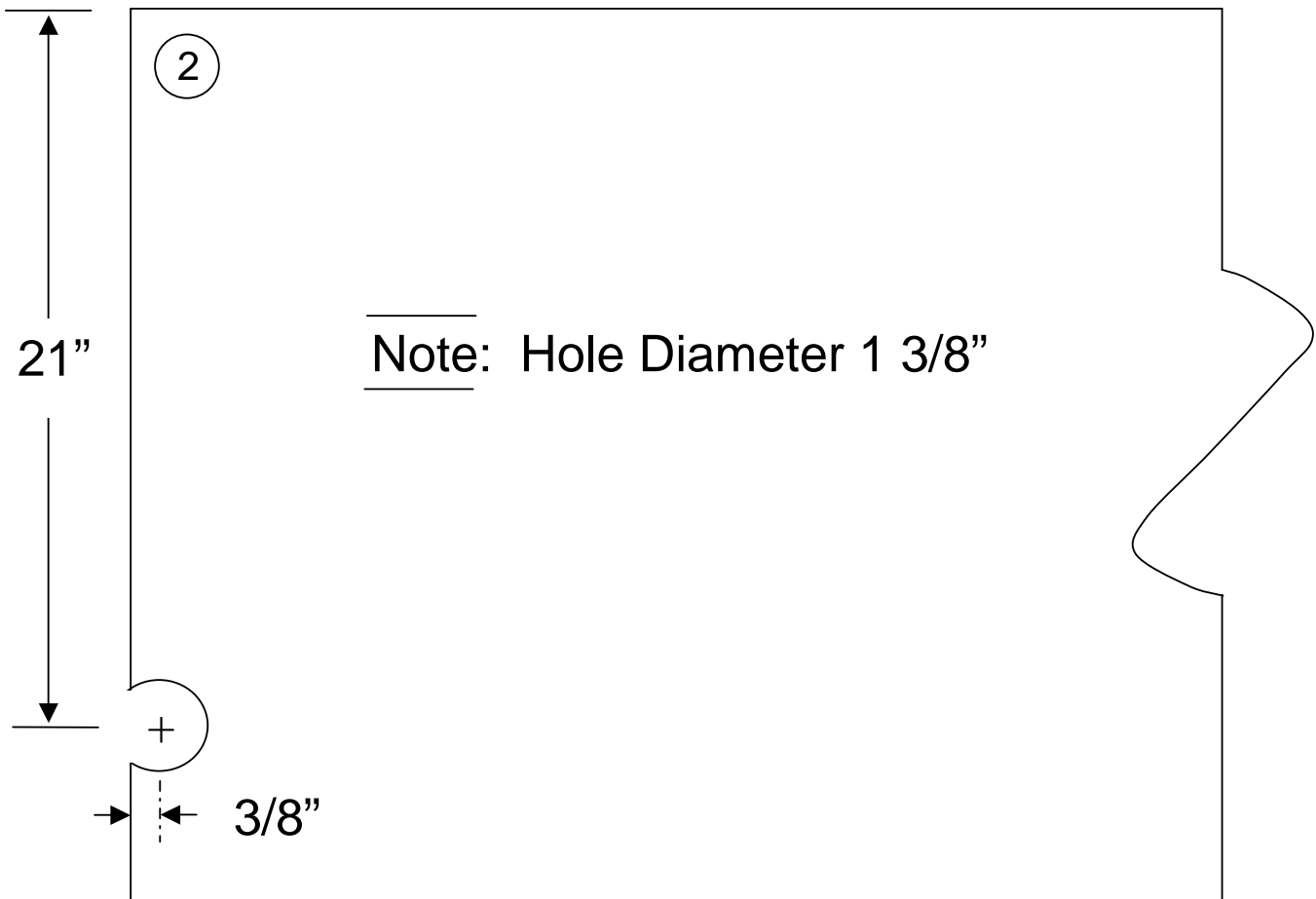
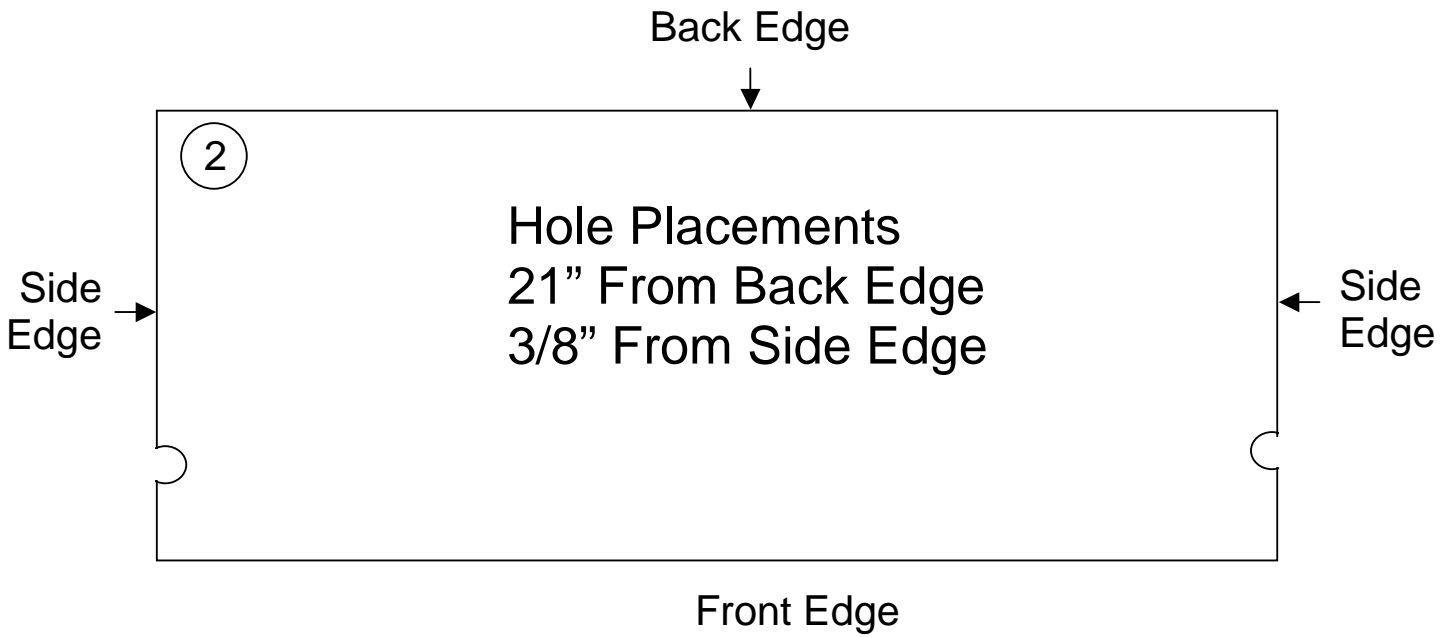
- 1 Upper left pivot arm
- 1 Upper right pivot arm
- 2 Lower pivot arms
- 4 Hinge plates
- 1 BC-1 Hardware bag – bolts, brass bushings
- 1 BC-2 Hardware bag - #10-3/4" screws

Side View of Bed Cabinet with Bookcase Pivot Arms

① Vertical

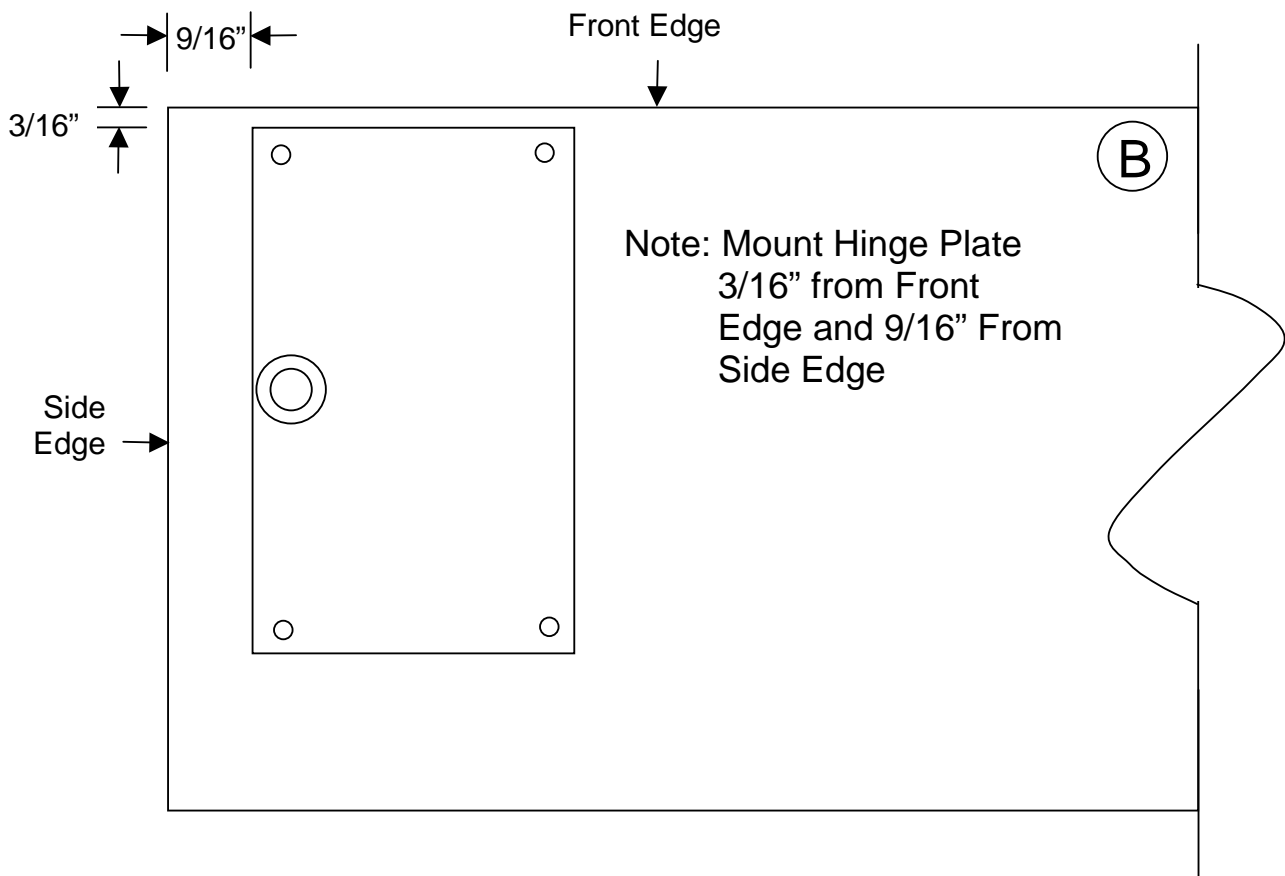
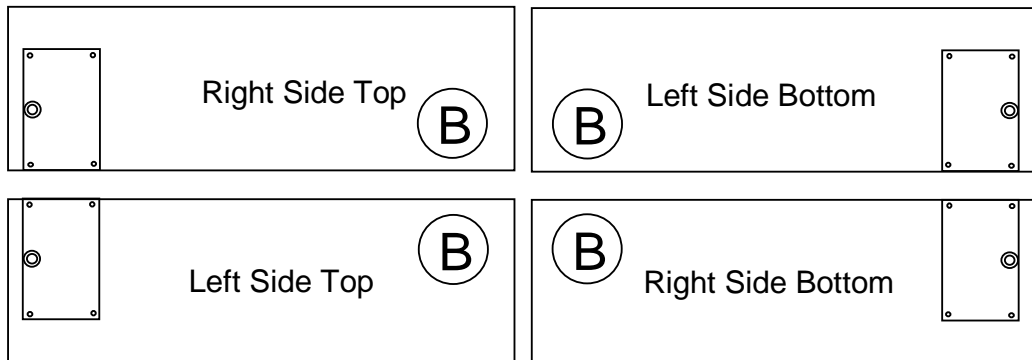


② Bridge: Hole Placement For Upper Bookcase Pivot Arms



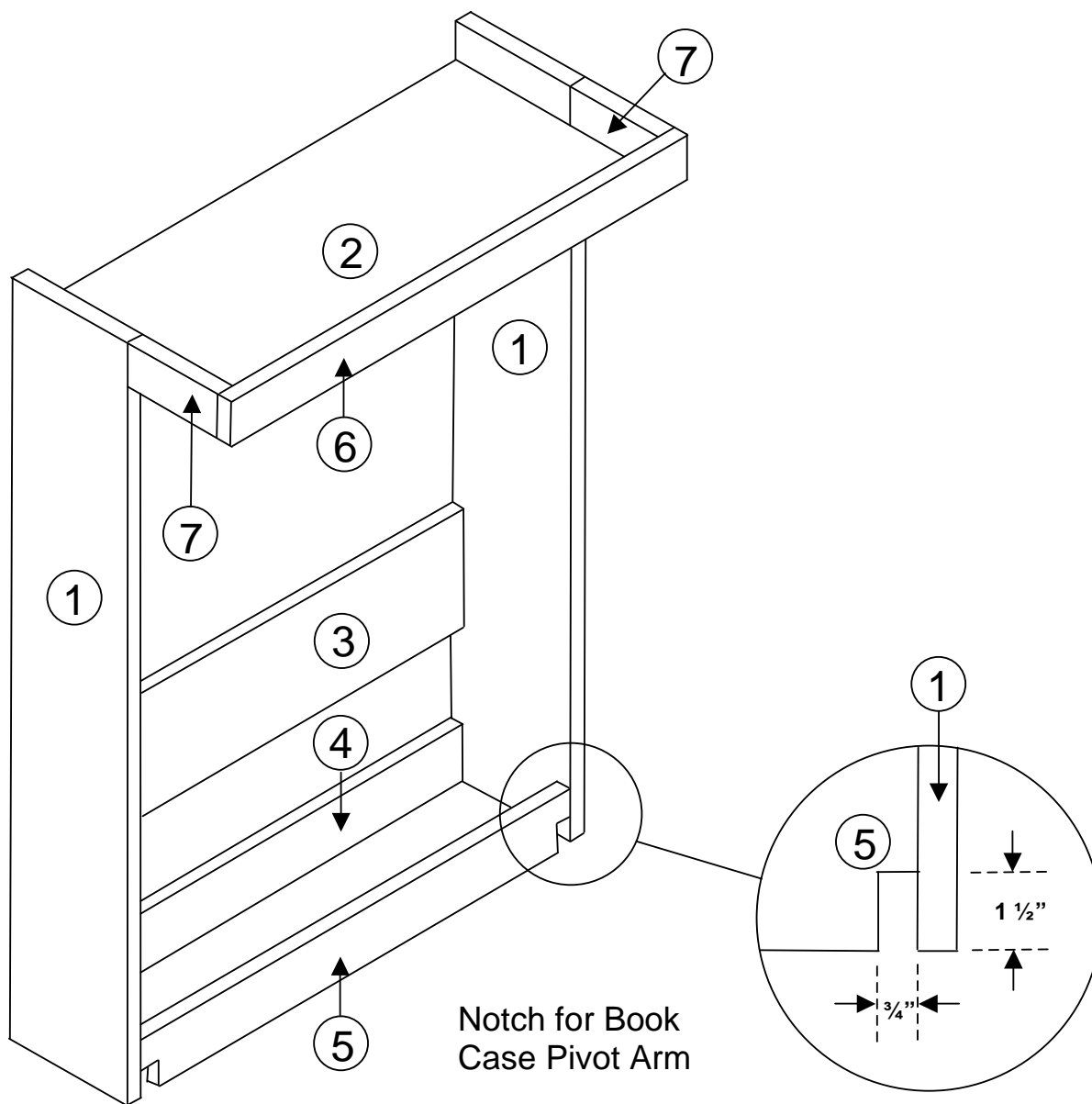
Placement for Bookcase Pivot Arm Hinge Plate

(B) Bookcase Ends

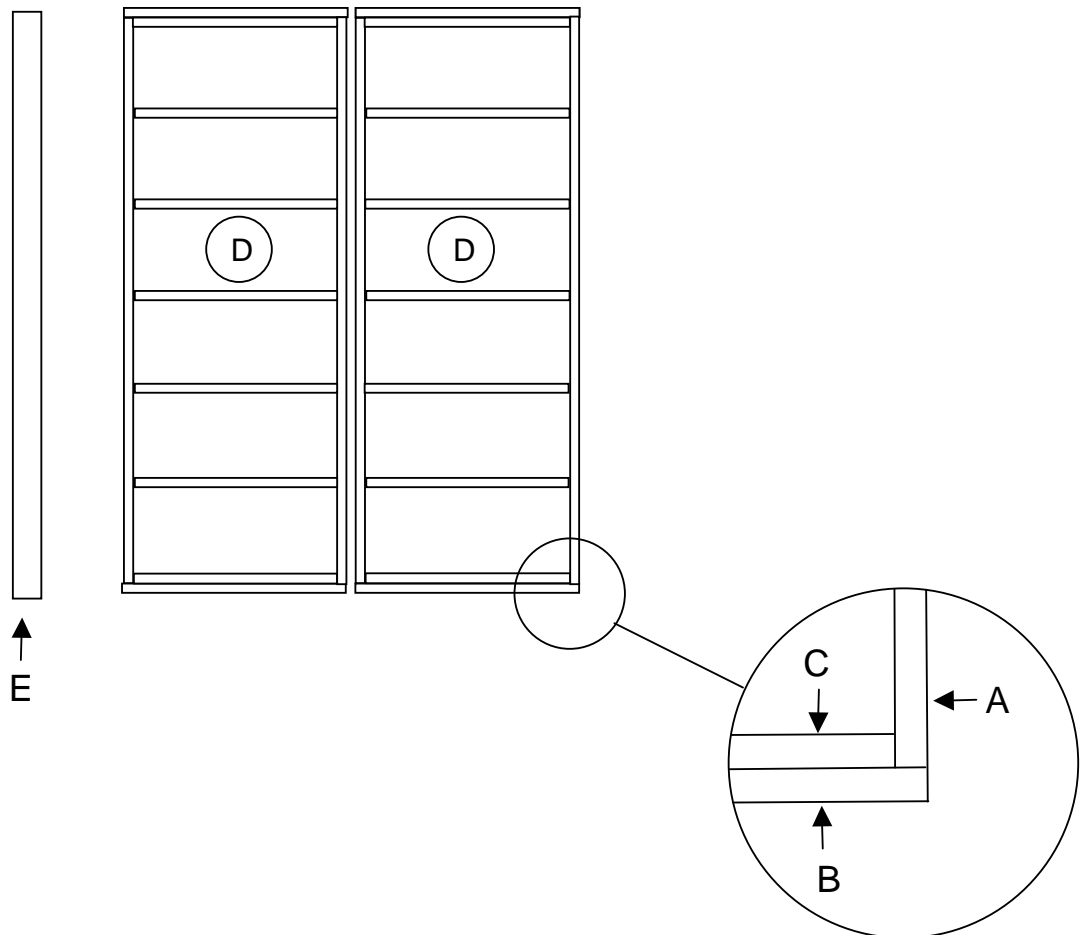


Bookcase
Murphy Bed
Cabinet -
Queen

	Description	# PCS	Width	Length	Thick	Edging
1	Vertical Side	2	16"	90"	3/4"	1 L
2	Bridge - Top	1	23 1/2"	64 1/2"	3/4"	None
3	Head Board	1	16"	64 1/2"	3/4"	2 L
4	Rear Base	1	6"	64 1/2"	3/4"	1 L
5	Front Kick	1	6"	64 1/2"	3/4"	1 L
6	Top Front Facia	1	4"	66"	3/4"	1L,2S
7	Side Top Facia	2	4"	7 1/2"	3/4"	1 L



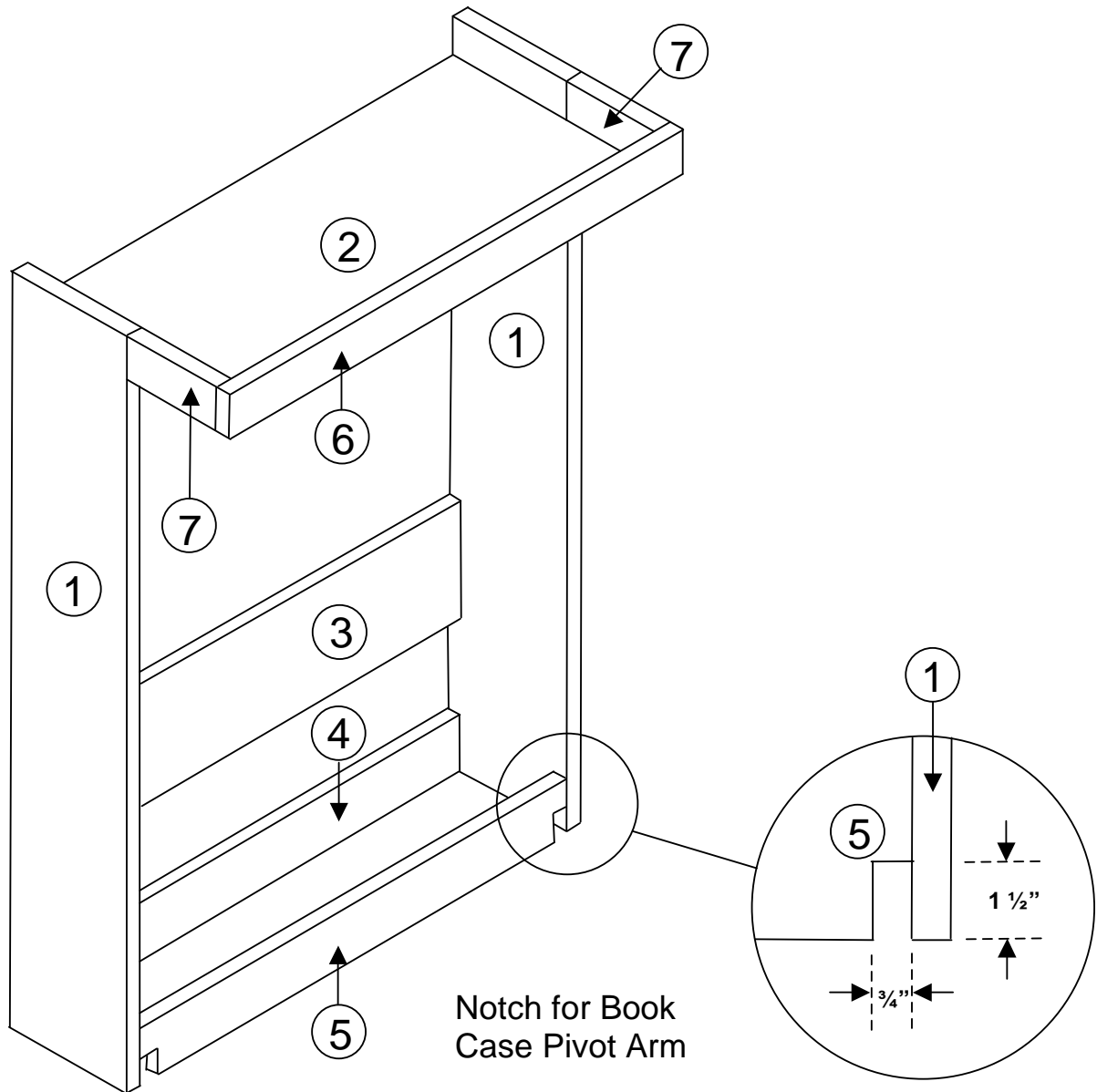
Bookcase Doors Queen Size



Panels	# of Panels	Description	Width	Length	Thickness	Finish Edging
A	4	Bookcase Sides	8"	82"	3/4"	2 Long
B	4	Bookcase Ends	8"	32 1/2"	3/4"	All
C	14	Interior Shelves	7 1/2"	31"	3/4"	1 Long
D	2	Backer Panels	31"	82"	1/4"	None
E	1	Center Molding	2 5/8"	83 1/2"	3/4"	All

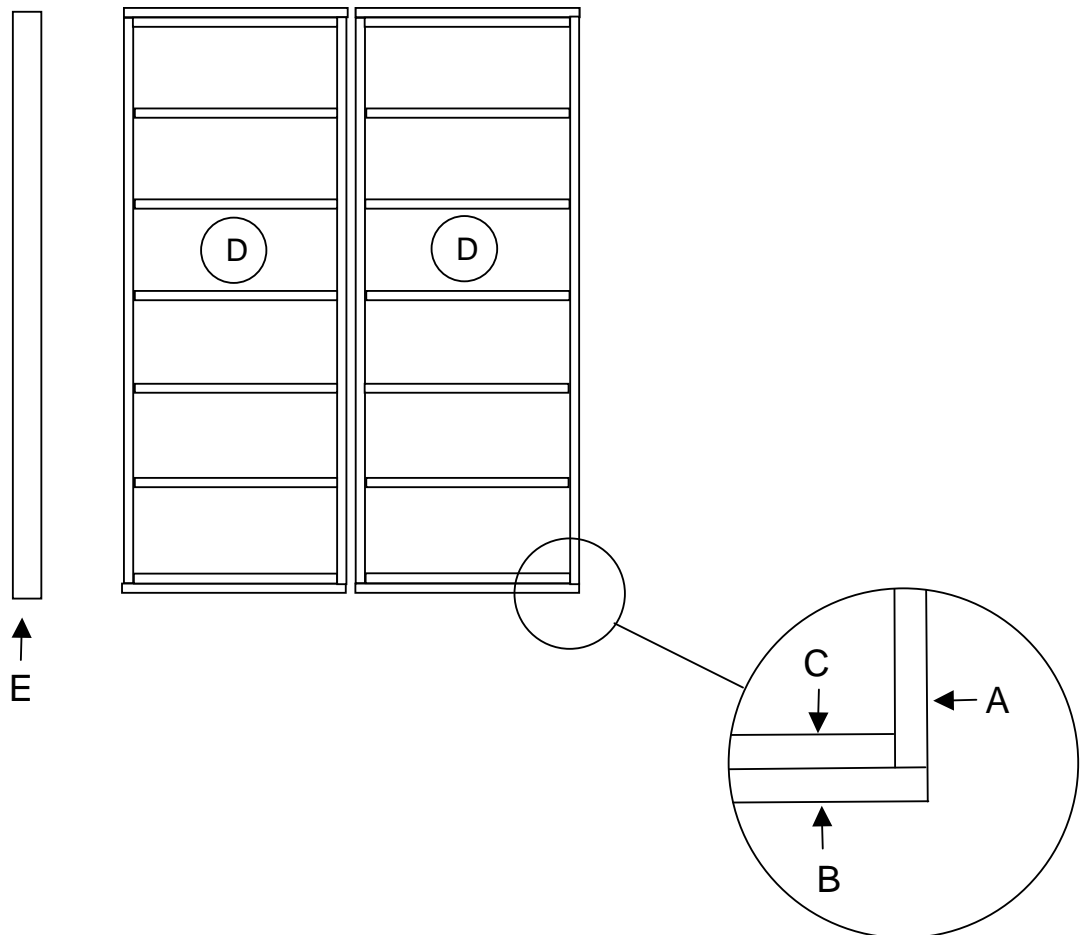
Bookcase
Murphy Bed
Cabinet -
Double/Full

	Description	# PCS	Width	Length	Thick	Edging
1	Vertical Side	2	16"	85"	3/4"	1 L
2	Bridge - Top	1	23 1/2"	58 1/2"	3/4"	None
3	Head Board	1	16"	58 1/2"	3/4"	2 L
4	Rear Base	1	6"	58 1/2"	3/4"	1 L
5	Front Kick	1	6"	58 1/2"	3/4"	1 L
6	Top Front Facia	1	4"	60"	3/4"	1L,2S
7	Side Top Facia	2	4"	7 1/2"	3/4"	1 L



Bookcase Doors

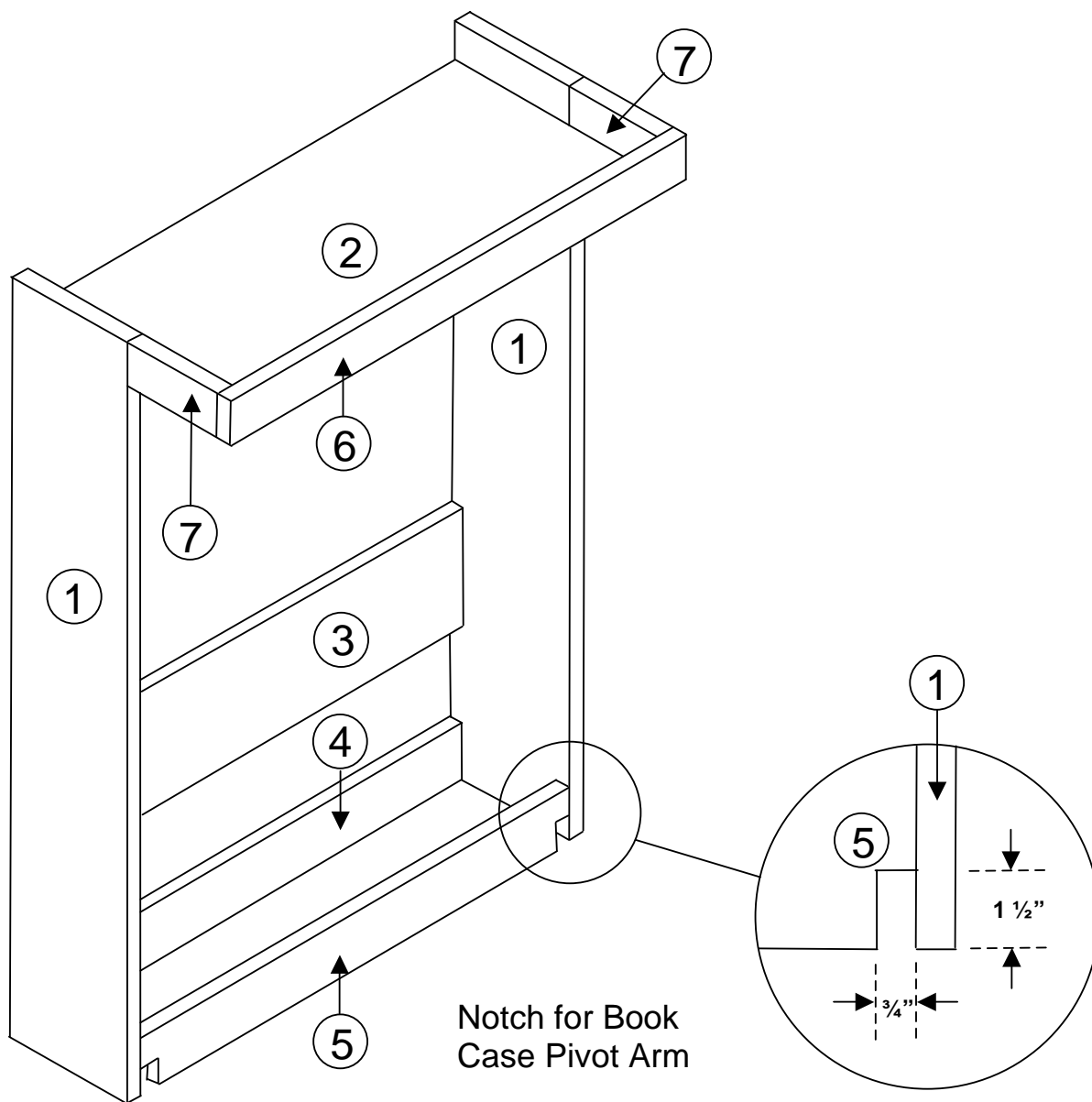
Double - Full



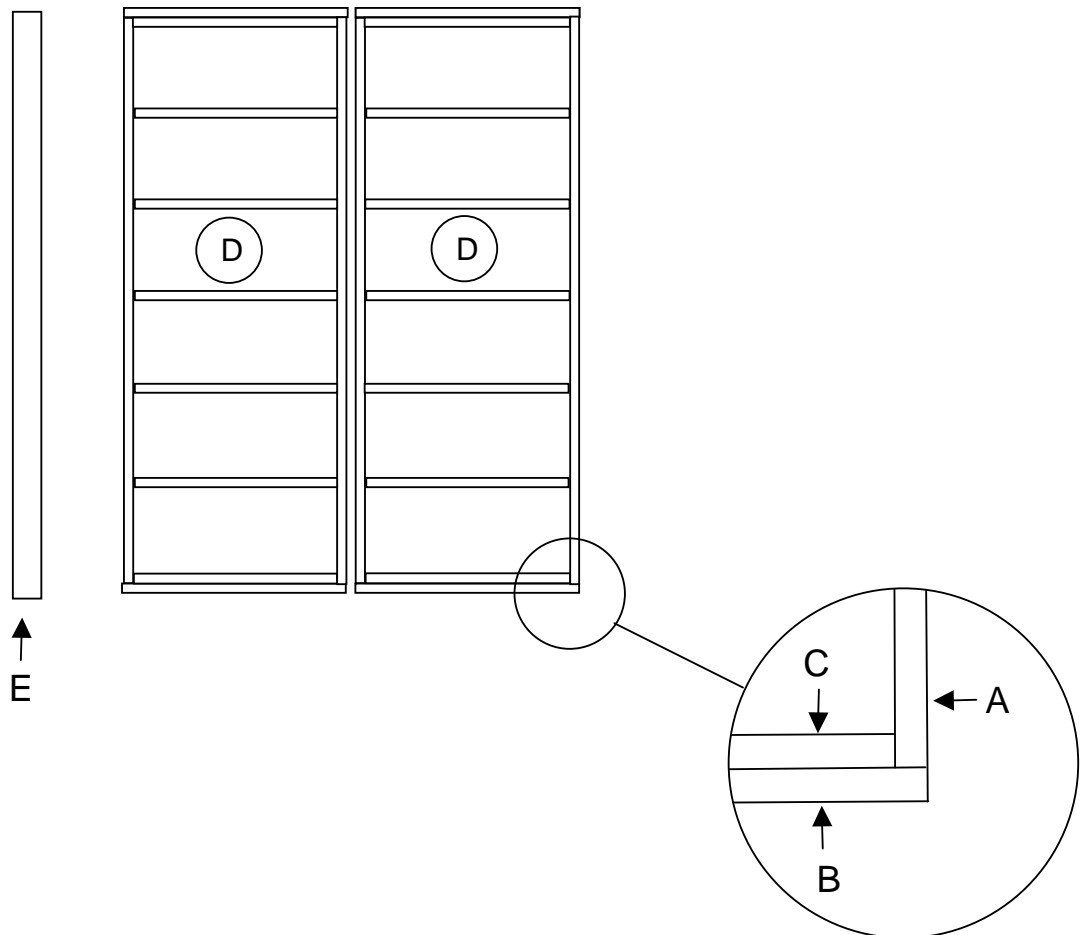
Panels	# of Panels	Description	Width	Length	Thickness	Finish Edging
A	4	Bookcase Sides	8"	77"	3/4"	2 Long
B	4	Bookcase Ends	8"	29 1/2"	3/4"	All
C	14	Interior Shelves	7 1/2"	28"	3/4"	1 Long
D	2	Backer Panels	28"	77"	1/4"	None
E	1	Center Molding	2 5/8"	78 1/2"	3/4"	All

Bookcase
Murphy Bed
Cabinet –
Single/Twin

	Description	# PCS	Width	Length	Thick	Edging
1	Vertical Side	2	16"	85"	3/4"	1 L
2	Bridge - Top	1	23 1/2"	43 1/2"	3/4"	None
3	Head Board	1	16"	43 1/2"	3/4"	2 L
4	Rear Base	1	6"	43 1/2"	3/4"	1 L
5	Front Kick	1	6"	43 1/2"	3/4"	1 L
6	Top Front Facia	1	4"	45"	3/4"	1L,2S
7	Side Top Facia	2	4"	7 1/2"	3/4"	1 L



Bookcase Doors Single - Twin



Panels	# of Panels	Description	Width	Length	Thickness	Finish Edging
A	4	Bookcase Sides	8"	77"	$\frac{3}{4}$ "	2 Long
B	4	Bookcase Ends	8"	22"	$\frac{3}{4}$ "	All
C	14	Interior Shelves	7 $\frac{1}{2}$ "	20 $\frac{1}{2}$ "	$\frac{3}{4}$ "	1 Long
D	2	Backer Panels	20 $\frac{1}{2}$ "	77"	$\frac{1}{4}$ "	None
E	1	Center Molding	2 $\frac{5}{8}$ "	78 $\frac{1}{2}$ "	$\frac{3}{4}$ "	All