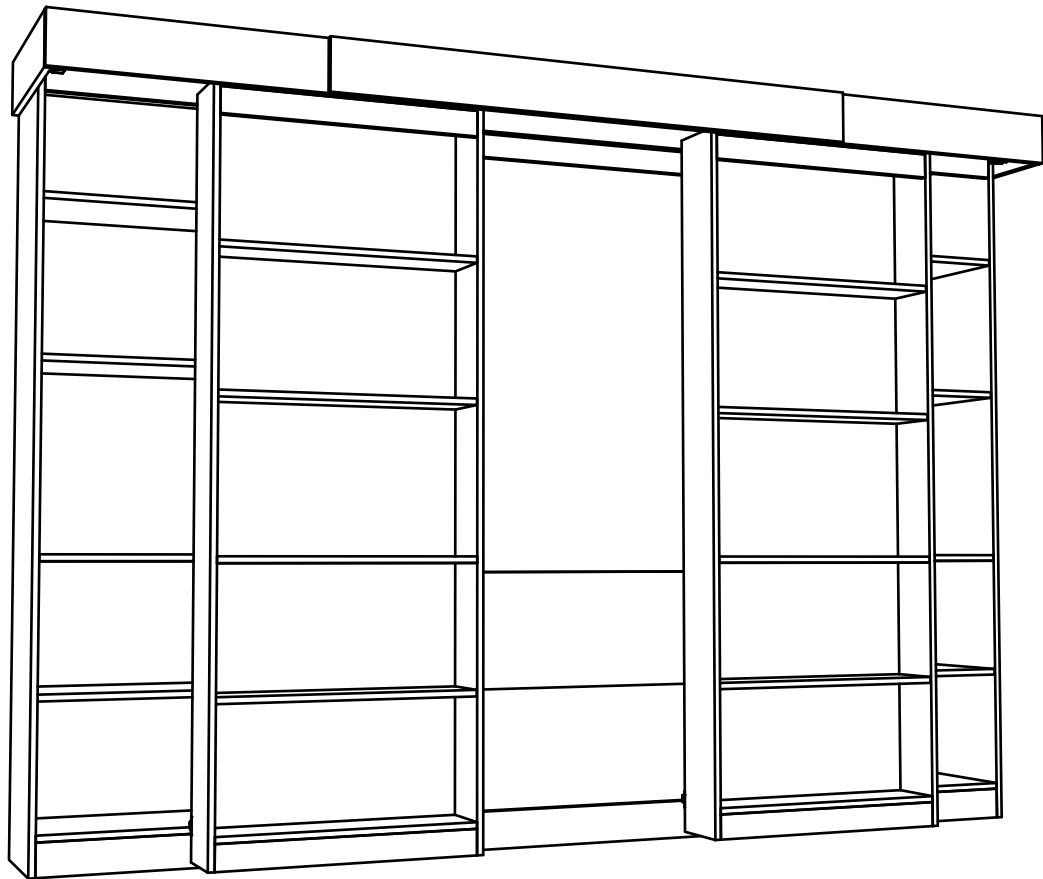


# The Library Bed™

**[Model #BC-2: Sliding Bookcase]**  
Cabinet Cut List & Assembly Instructions



Fits all Single/Twin, Double/Full, Queen Beds

# Project Start-Up

- Familiarize yourself with all of the components in the Library Bed cartons and thoroughly study this manual so you may plan the steps required to complete this project.
- Study all illustrations and plan drawings. Make sure that the space available is adequate for the specified dimensions of the bed cabinet, both in the open and closed positions.

## **FOOTPRINT DIMENSIONS: Cabinet Sizes & Projection from Wall**

Dimensions in ( ) are mm.

All beds accept mattress thickness up to 12 inches.

<b>BC-2 SLIDING</b>	<b>Single</b>	<b>Double</b>	<b>Queen</b>
Cabinet Size (D,W,H)	24" x 86" x 88" (638 x 2184 x 2235)	24" x 115" x 88" (638 x 2921 x 2235)	24" x 127" x 93" (638 x 3226 x 2362)
Projection from Wall (P)	86 1/8" (2188)	86 1/8" (2188)	91 1/8" (2315)
Mattress Size	39" x 75" (991 x 1905)	54" x 75" (1372 x 1905)	60" x 80" (1524 x 2032)

- Panels should be 3/4" (19mm) ply core. Particle board is acceptable but with more attention given to assembly procedures and handling. This is discussed further in this manual.
- Handles to pull the bed open are not provided. Select these from your local decorative hardware supplier. Have them on site at the time of assembly.
- Check to be sure that all items are available
  - Steel Bed Frame and Mechanism
  - Cabinet Components and Hardware
  - Necessary Tools

## Steps to Complete Project

Prep. Cut and prepare all wood or laminate cabinet components.

1. Assemble Bed Cabinet
2. Fasten Bed Cabinet to Wall
3. Assemble Side Cabinets, left and right
4. Position and secure Side Cabinets to Bed Cabinet
5. Install Steel Support
6. Install Aluminum Rail Tracks
7. Assemble Sliding Bookcases, left and right
8. Mount Sliding Bookcases

# BC-2 Sliding Bookcase

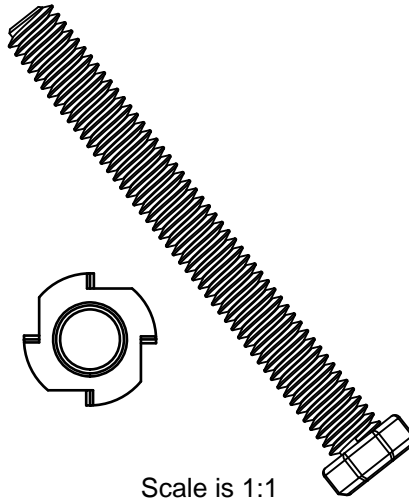
## Hardware Components List

#10 x 3/4" Pan Head Square Screw  
See pgs. 8,13,16  
(attach AL Rail and Nylon Carriers)



Scale is 1:1

3" x 5/16" Bolt & T-Nut Washer  
See pg. 8 (attach steel tube)



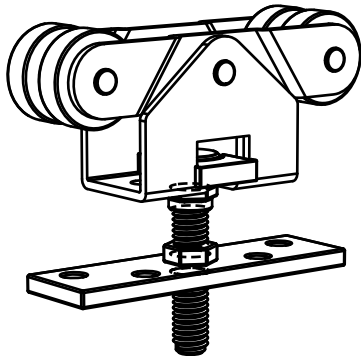
Scale is 1:1

#6 x 5/8" Flat Head Phillips Screw  
See pg. 14  
(attach Bottom Roller Guide)



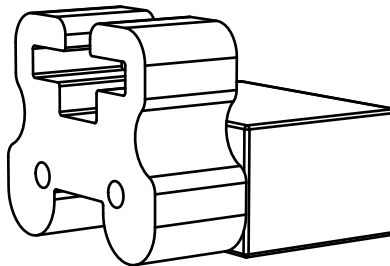
Scale is 1:1

4-Wheel Nylon Carrier  
See pg. 13 for mounting information



\*Image is not to scale\*

AL Extrusion/Rubber Bumper  
See pg. 10



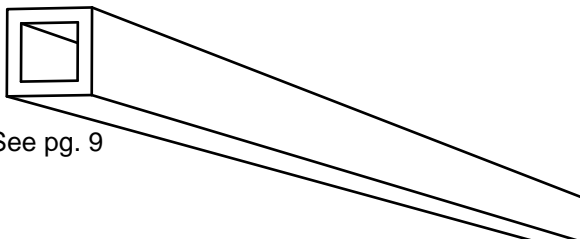
\*Image is not to scale\*

Bottom Roller Guide  
See pg. 14



\*Image is not to scale\*

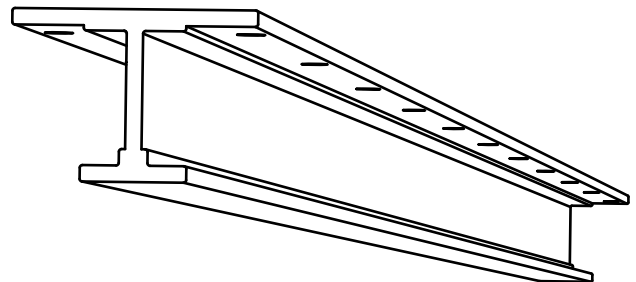
Steel Tube  
(0.1 x 1.5 x 1.5 x 64") / (2.5 x 38 x 38mm x 1.63m)  
2 Through Holes



See pg. 9

\*Image is not to scale\*

AL Rail Extrusion  
(L: 63",1.6m)  
See pg. 9



\*Image is not to scale\*

# STEP #1

## BED CABINET COMPONENT CUT LIST

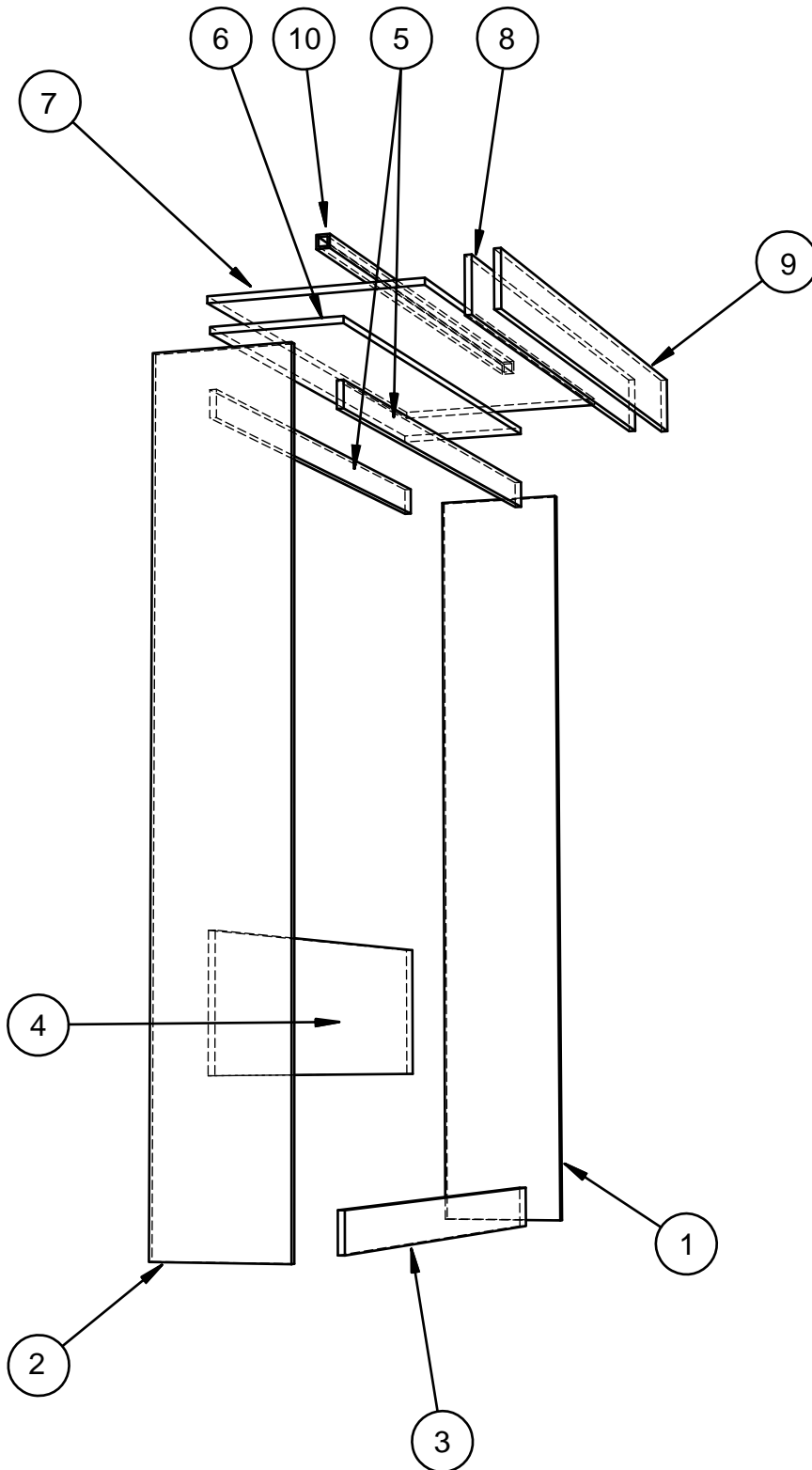
<b>SINGLE/TWIN BED</b>				
Numbers in parenthesis ( ) are mm				
<b>Cabinet Material:</b> 3/4" (18) MDF or Plycore				
QTY	PART	WIDTH		LENGTH
1	Right Side Panel	16"	(406)	85" (2159)
2	Left Side Panel	16"	(406)	85" (2159)
3	Front Kick	4 1/2"	(114)	41" (1041)
4	Headboard	14 7/8"	(378)	41" (1041)
5	Top Facia (2)	3"	(76)	41" (1041)
6	Top Panel	16"	(406)	41" (1041)
7	Library Top	25 1/8"	(638)	42 1/2" (1080)
8	Front Valance	6 1/4"	(159)	42 1/2" (1080)
9	Nailer	6 1/4"	(159)	45 1/2" (1156)
10	Steel Support	1 1/2" x 1 1/2" (38 x 38)		64" (1626)
<b>DOUBLE/FULL BED</b>				
Numbers in parenthesis ( ) are mm				
<b>Cabinet Material:</b> 3/4" (18) MDF or Plycore				
QTY	PART	WIDTH		LENGTH
1	Right Side Panel	16"	(406)	85" (2159)
2	Left Side Panel	16"	(406)	85" (2159)
3	Front Kick	4 1/2"	(114)	56" (1422)
4	Headboard	14 7/8"	(378)	56" (1422)
5	Top Facia (2)	3"	(76)	56" (1422)
6	Top Panel	16"	(406)	56" (1422)
7	Library Top	25 1/8"	(638)	57 1/2" (1460)
8	Front Valance	6 1/4"	(159)	57 1/2" (1460)
9	Nailer	6 1/4"	(159)	60 1/2" (1537)
10	Steel Support	1 1/2" x 1 1/2" (38 x 38)		64" (1626)
<b>QUEEN BED</b>				
Numbers in parenthesis ( ) are mm				
<b>Cabinet Material:</b> 3/4" (18) MDF or Plycore				
QTY	PART	WIDTH		LENGTH
1	Right Side Panel	16"	(406)	90" (2286)
2	Left Side Panel	16"	(406)	90" (2286)
3	Front Kick	4 1/2"	(114)	62" (1575)
4	Headboard	14 7/8"	(378)	62" (1575)
5	Top Facia (2)	3"	(76)	62" (1575)
6	Top Panel	16"	(406)	62" (1575)
7	Library Top	25 1/8"	(638)	63 1/2" (1613)
8	Front Valance	6 1/4"	(159)	63 1/2" (1613)
9	Nailer	6 1/4"	(159)	66 1/2" (1689)
10	Steel Support	1 1/2" x 1 1/2" (38 x 38)		64" (1626)

# STEP #1

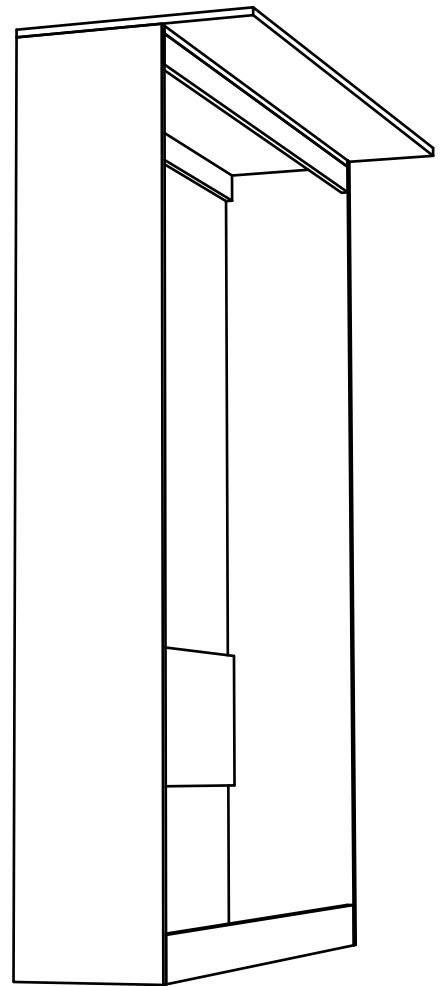
## BED CABINET ASSEMBLY

Assemble parts 1-7. Note that the Top Panel (6) is assembled **between** Left and Right Side Panels (1,2). The Library Top (7) is fastened to the top of the whole assembly.

NOTE: Do not assemble parts 8, 9 or 10 at this time.



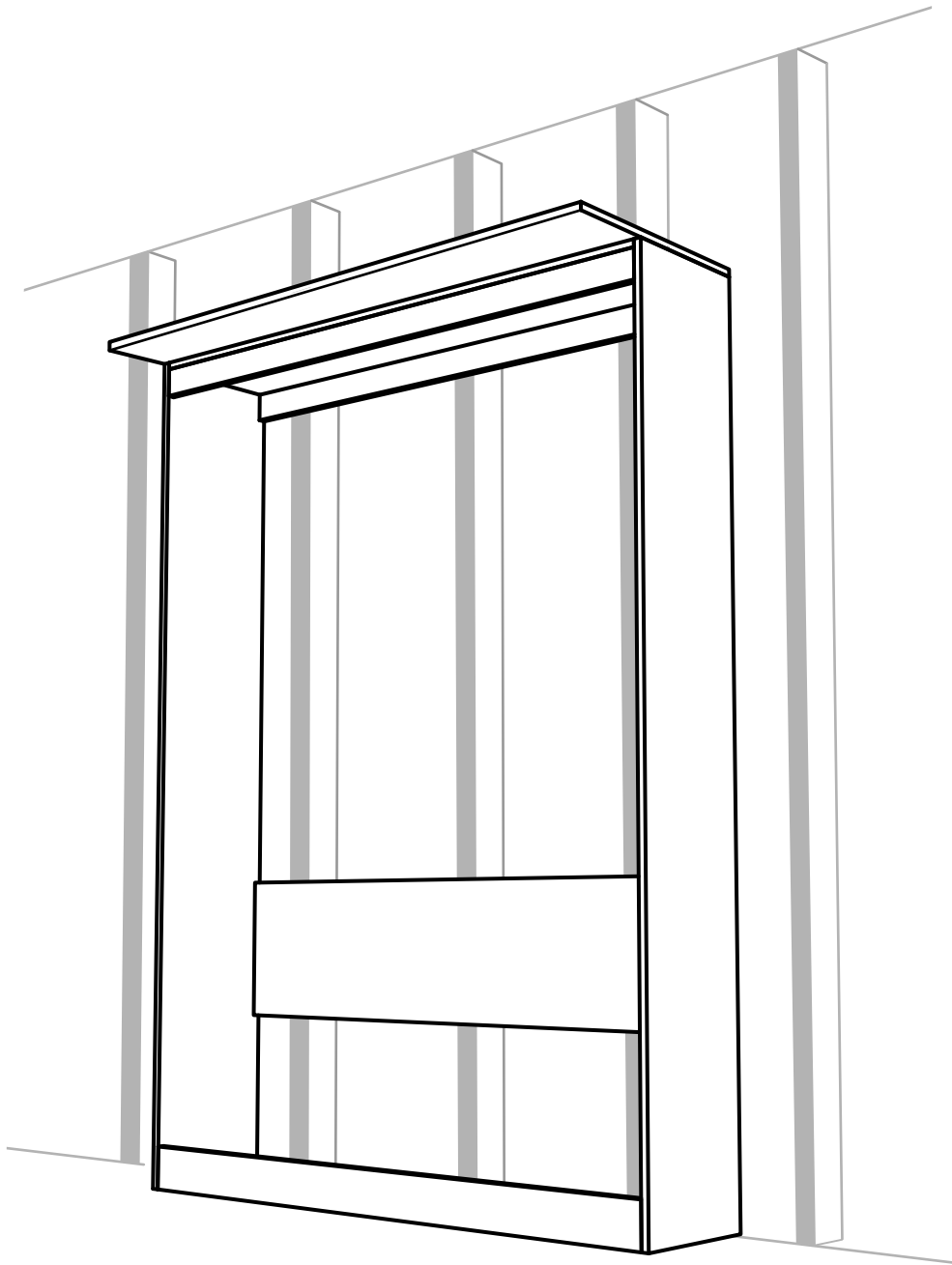
Assembly of parts 1-7 are shown below.



## **STEP #2**

### **BED CABINET POSITIONING**

Position Bed Cabinet to wall - Loosely attach to studs with #8 x 3" wood screws. Be sure to locate at least three wall studs for secure attachment.



# STEP #3

## SIDE CABINET COMPONENT CUT LIST; LEFT AND RIGHT

<b>SINGLE/TWIN BED</b>					
Numbers in parenthesis ( ) are mm					
#(L)	#(R)	PART	WIDTH		LENGTH
11	11	Right Side Panel	16"	(406)	85" (2159)
12	12	Left Side Panel	16"	(406)	85" (2159)
13	13	Front Kick	3 13/16"	(97)	19 3/4" (502)
14	14	Deck	16"	(406)	19 3/4" (502)
15	15	Horizontal Partition	16"	(406)	19 3/4" (502)
16	16	Adjustable Shelf (3)	15 7/8"	(403)	19 3/4" (502)
17	17	Top Facia	3"	(76)	19 3/4" (502)
18	18	Top Panel	16"	(406)	19 3/4" (502)
19	19	Library Top	25 1/8"	(638)	21 1/4" (540)
20	20	Front Valance	6 1/4"	(159)	22" (559)
21	21	Side Valance	6 1/4"	(159)	25 1/8" (638)
<b>DOUBLE/FULL BED</b>					
Numbers in parenthesis ( ) are mm					
#(L)	#(R)	PART	WIDTH		LENGTH
11	11	Right Side Panel	16"	(406)	85" (2159)
12	12	Left Side Panel	16"	(406)	85" (2159)
13	13	Front Kick	3 13/16"	(97)	27 1/4" (692)
14	14	Deck	16"	(406)	27 1/4" (692)
15	15	Horizontal Partition	16"	(406)	27 1/4" (692)
16	16	Adjustable Shelf (3)	15 7/8"	(403)	27 1/4" (692)
17	17	Top Facia	3"	(76)	27 1/4" (692)
18	18	Top Panel	16"	(406)	27 1/4" (692)
19	19	Library Top	25 1/8"	(638)	28 3/4" (730)
20	20	Front Valance	6 1/4"	(159)	29 1/2" (749)
21	21	Side Valance	6 1/4"	(159)	25 1/8" (638)
<b>QUEEN BED</b>					
Numbers in parenthesis ( ) are mm					
#(L)	#(R)	PART	WIDTH		LENGTH
11	11	Right Side Panel	16"	(406)	90" (2286)
12	12	Left Side Panel	16"	(406)	90" (2286)
13	13	Front Kick	3 13/16"	(97)	30 1/4" (768)
14	14	Deck	16"	(406)	30 1/4" (768)
15	15	Horizontal Partition	16"	(406)	30 1/4" (768)
16	16	Adjustable Shelf (3)	15 7/8"	(403)	30 1/4" (768)
17	17	Top Facia	3"	(76)	30 1/4" (768)
18	18	Top Panel	16"	(406)	30 1/4" (768)
19	19	Library Top	25 1/8"	(638)	31 3/4" (806)
20	20	Front Valance	6 1/4"	(159)	32 1/2" (826)
21	21	Side Valance	6 1/4"	(159)	25 1/8" (638)

## STEP #3

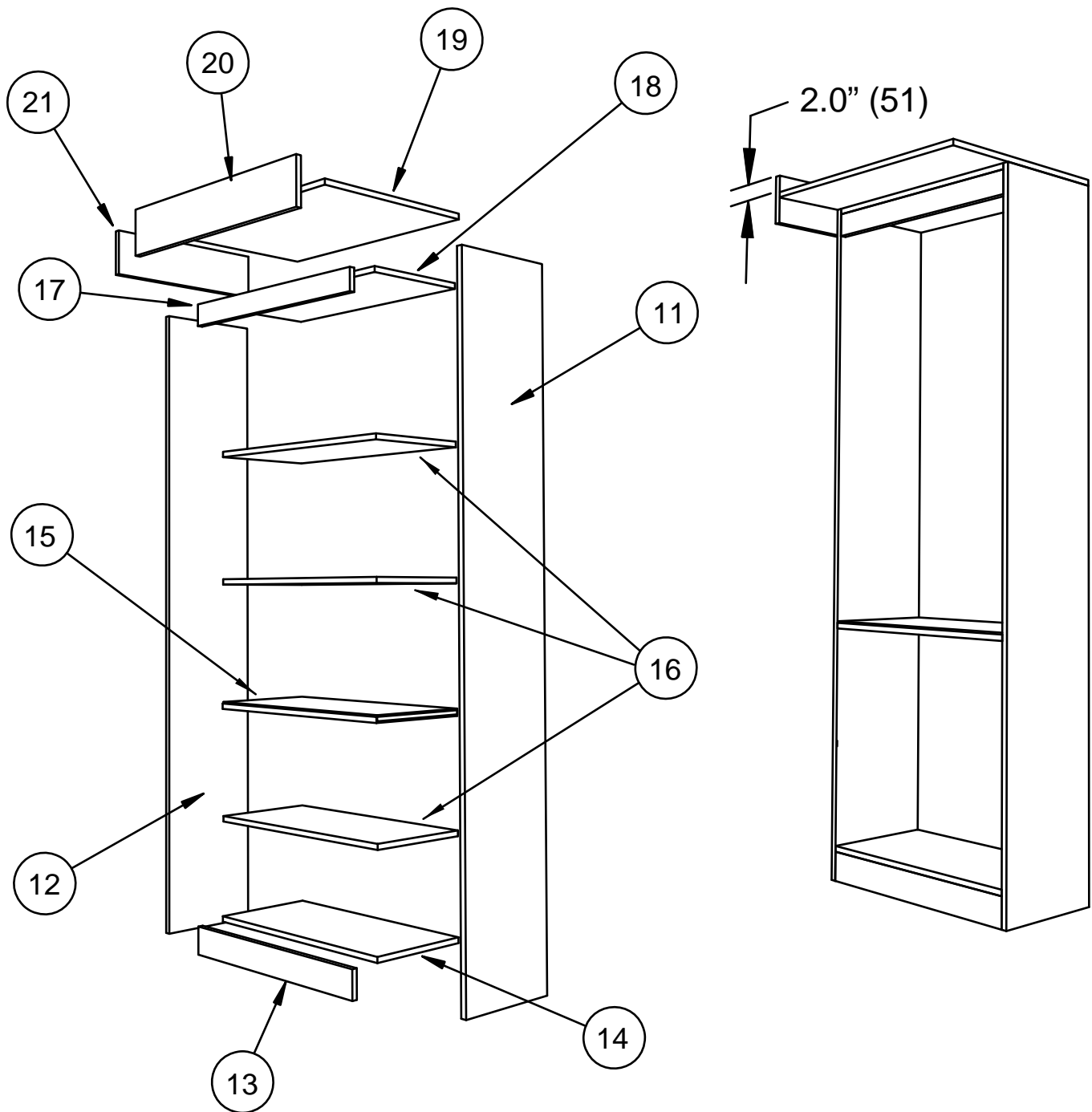
### SIDE CABINET ASSEMBLY

Assemble parts 11, 12, 13, 14, 15, 17, 18, 19 and 21 as shown below.

NOTE: Parts 16 are adjustable shelves and will be added later.

Part 18 mounts **between** 11 and 12.

Part 20 will be added to assembly later.



Note: Left and right sides are identical except for their top assemblies (Left shown).

Repeat assembly steps for the Right Side Cabinet.

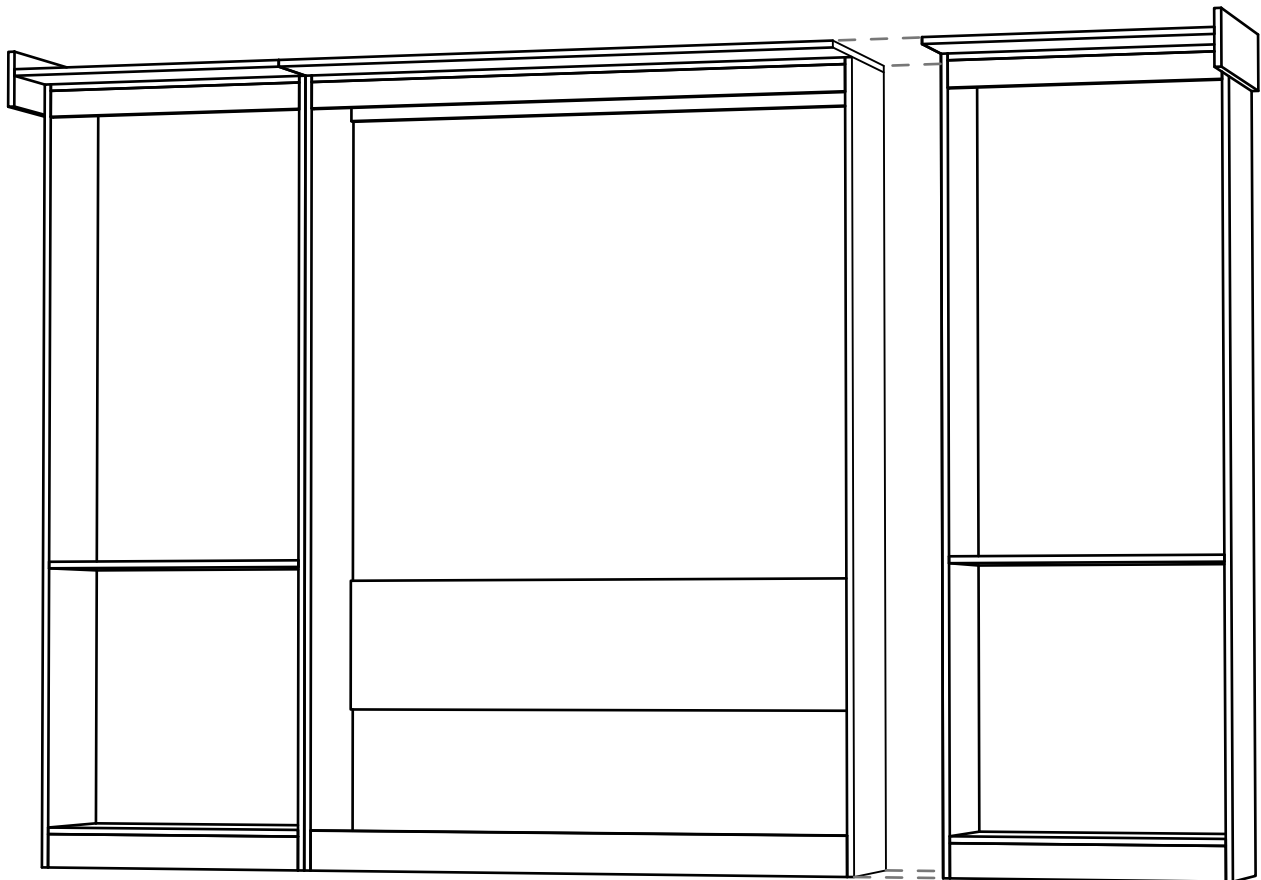


## **STEP #4**

### **SIDE CABINET POSITIONING**

Position and secure Left and Right Side Cabinets to Bed Cabinet using #8 x 1 1/4" wood screws.

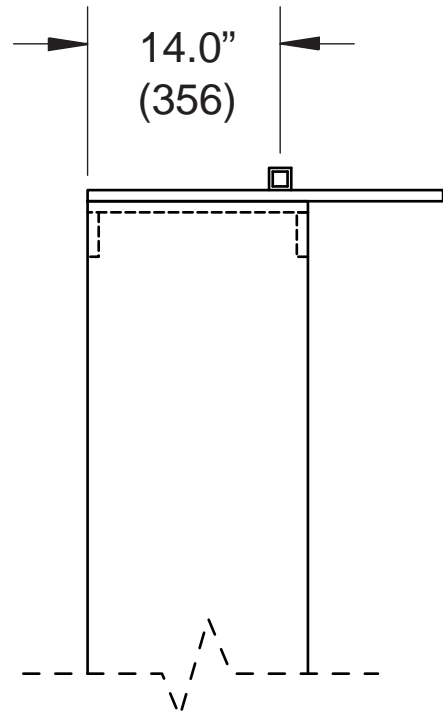
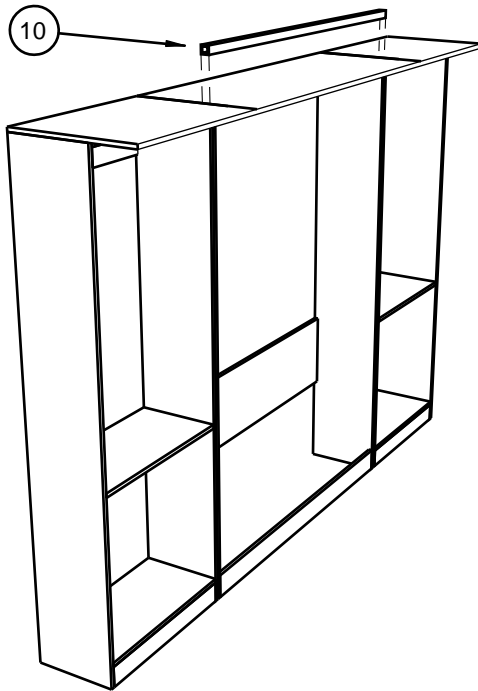
Square and level bed cabinet and left and right side cabinets. Make final secure attachment through the back of Top Facia (5) of the Bed Cabinet using (3) #8x3" wood screws, into studs.



## **STEP #5**

### **INSTALL STEEL SUPPORT**

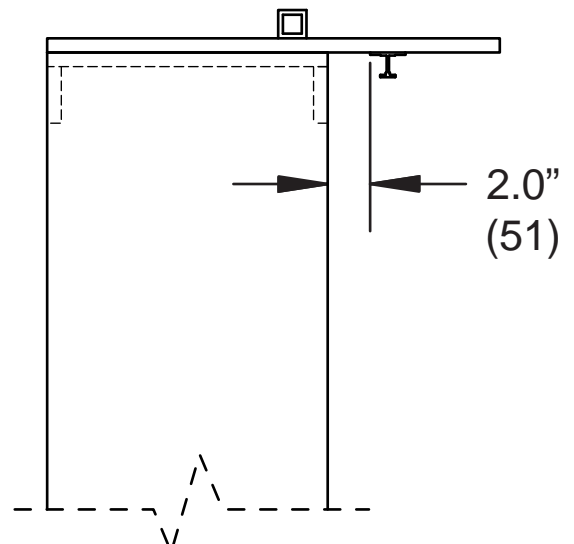
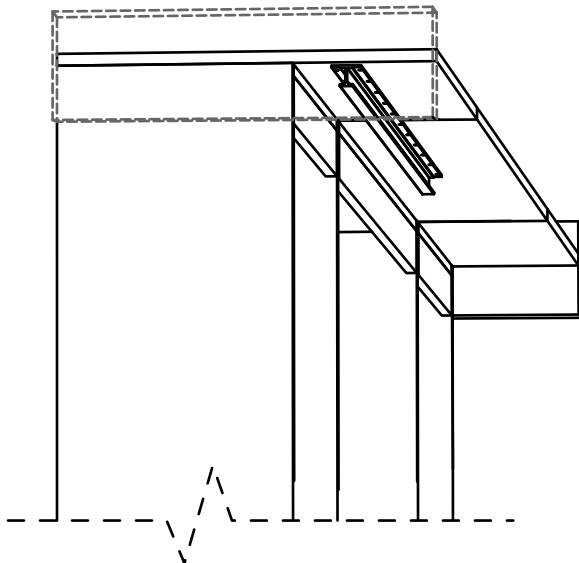
Fasten the square 1.5"x1.5" (38 x 38) Steel Support (10) to the top of the assembly using the provided 3.0" bolts and T-nuts. The Steel Support should be centered on top of the bed cabinet and bolt holes should be 14.0" (356) from the wall. Use the holes in the support to guide for drilling.



## **STEP #6**

### **ATTACH LEFT SIDE ALUMINUM TRACK**

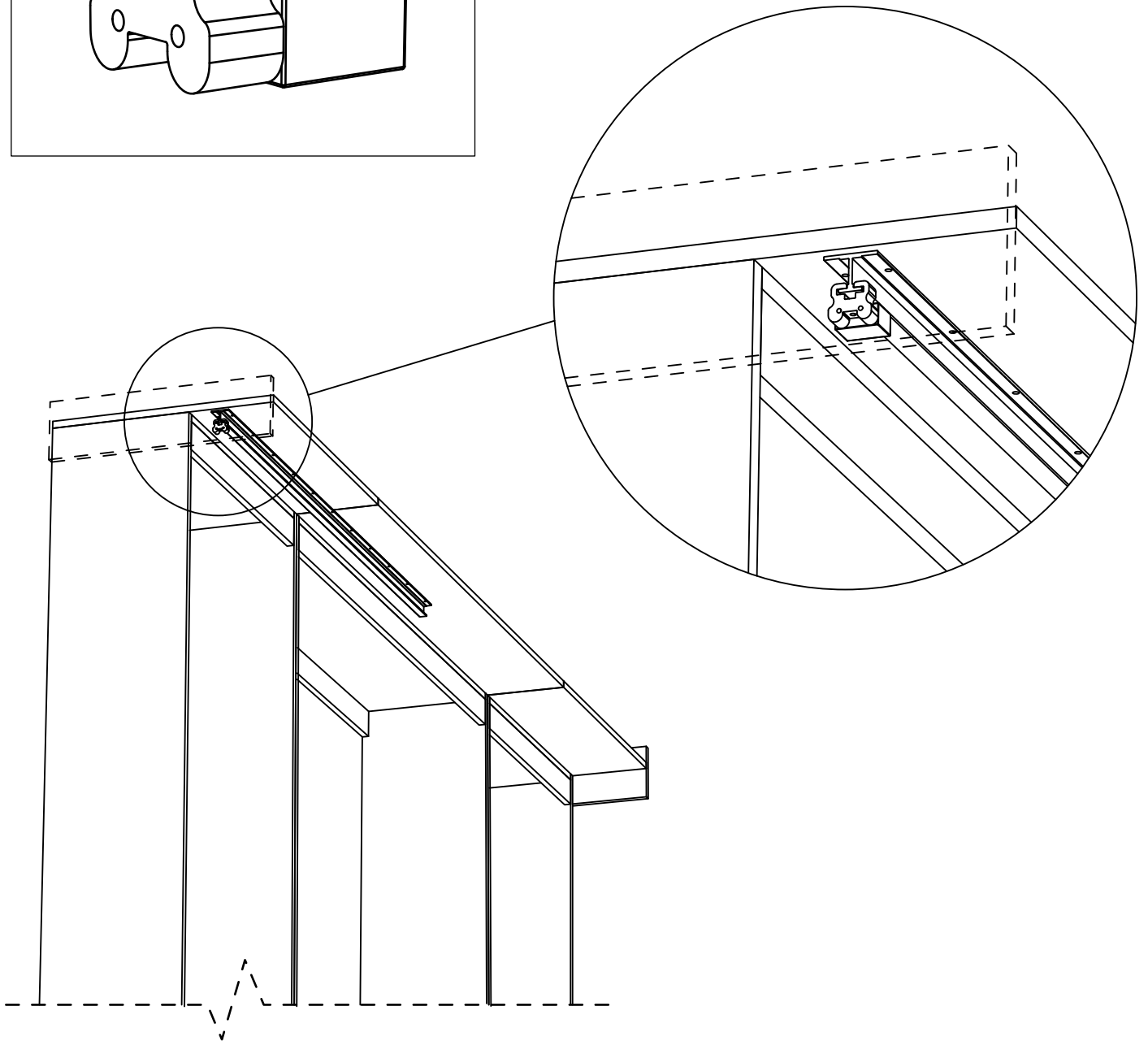
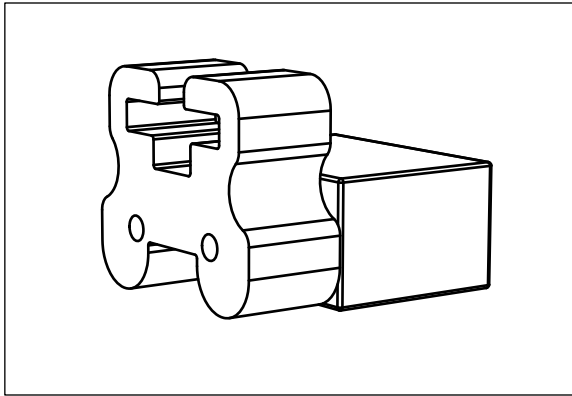
Position inside edge of track 2.0" (51mm) from cabinet front as shown below. Right end of track should be centered with the bed cabinet. The aluminum tracks come as queen size; use a hacksaw to shorten them both *equally* to fit single or full size beds.



## **STEP #6**

### **INSTALL LEFT END RUBBER SAFETY STOP**

Slide one rubber safety stop to end of left track in position shown below. Loosely tighten to track with provided screws, you will tighten later.



# **STEP #7**

## **SLIDING BOOK CASE COMPONENTS**

**NOTE:** Two of each part are included for the identical left and right sliding cabinet assemblies.

<b>SINGLE - SLIDING BOOK CASE</b>					
Numbers in parenthesis ( ) are mm					
#	PART	WIDTH		LENGTH	
22	Right Side Panel	8"	(203)	81 7/16"	(2069)
23	Left Side Panel	8"	(203)	81 7/16"	(2069)
24	Front Kick	3"	(76)	19 3/4"	(502)
25	Deck	7 1/4"	(184)	19 3/4"	(502)
26	Horizontal Partition	7 1/4"	(184)	19 3/4"	(502)
27	Adjustable Shelves	7 1/8"	(181)	19 3/4"	(502)
28	Top Facia	3"	(76)	19 3/4"	(502)
29	Top Panel	7 1/4"	(184)	19 3/4"	(502)
30	Back Panel	19 3/4"	(502)	81 7/16"	(2069)
<b>FULL - SLIDING BOOK CASE</b>					
Numbers in parenthesis ( ) are mm					
#	PART	WIDTH		LENGTH	
22	Right Side Panel	8"	(203)	81 7/16"	(2069)
23	Left Side Panel	8"	(203)	81 7/16"	(2069)
24	Front Kick	3"	(76)	27 1/4"	(692)
25	Deck	7 1/4"	(184)	27 1/4"	(692)
26	Horizontal Partition	7 1/4"	(184)	27 1/4"	(692)
27	Adjustable Shelves	7 1/8"	(181)	27 1/4"	(692)
28	Top Facia	3"	(76)	27 1/4"	(692)
29	Top Panel	7 1/4"	(184)	27 1/4"	(692)
30	Back Panel	27 1/4"	(692)	81 7/16"	(2069)
<b>QUEEN - SLIDING BOOK CASE</b>					
Numbers in parenthesis ( ) are mm					
QTY	PART	WIDTH		LENGTH	
22	Right Side Panel	8"	(203)	86 7/16"	(2196)
23	Left Side Panel	8"	(203)	86 7/16"	(2196)
24	Front Kick	3"	(76)	30 1/4"	(768)
25	Deck	7 1/4"	(184)	30 1/4"	(768)
26	Horizontal Partition	7 1/4"	(184)	30 1/4"	(768)
27	Adjustable Shelves	7 1/8"	(181)	30 1/4"	(768)
28	Top Facia	3"	(76)	30 1/4"	(768)
29	Top Panel	7 1/4"	(184)	30 1/4"	(768)
30	Back Panel	30 1/4"	(768)	86 7/16"	(2196)

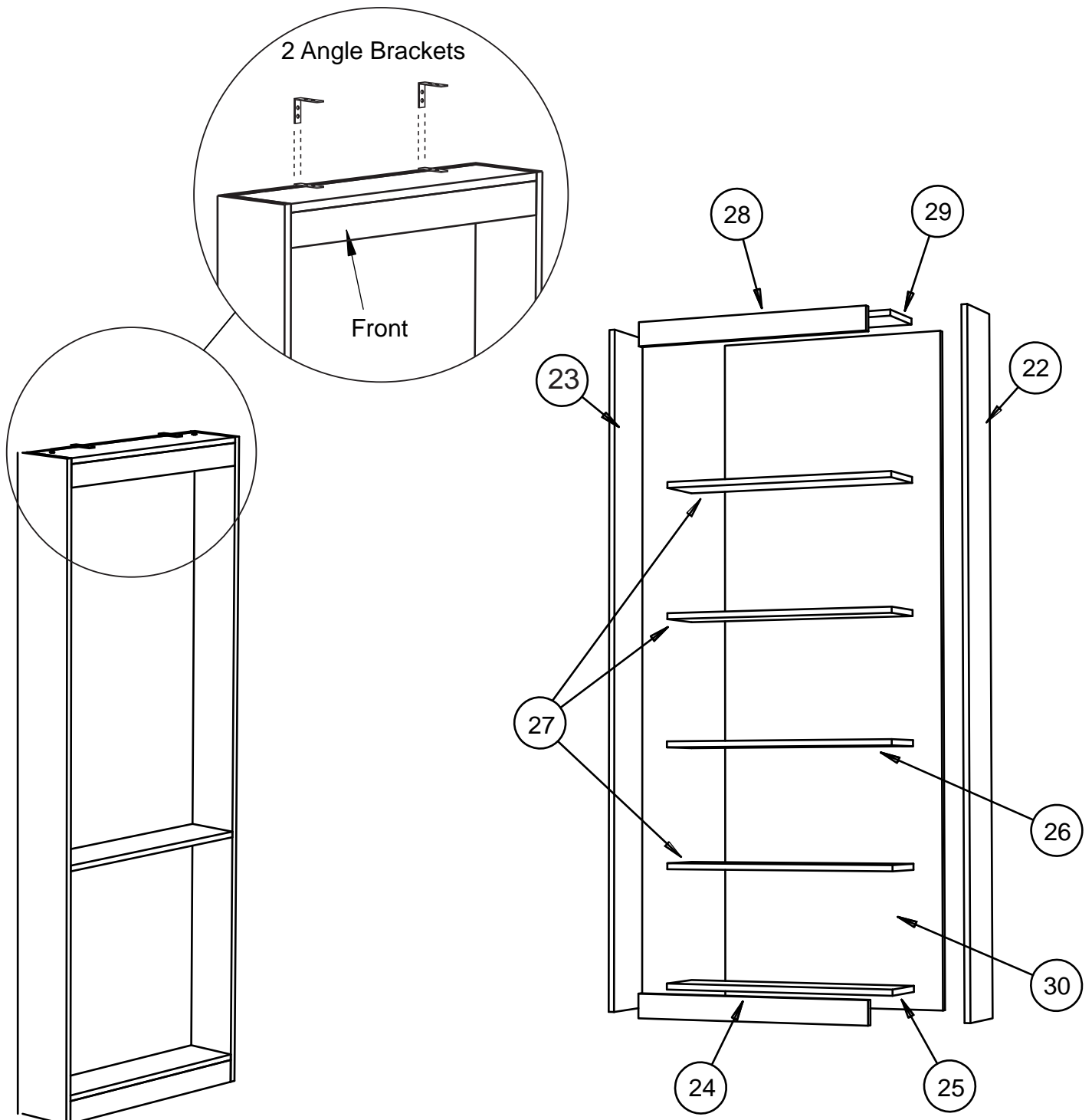
## **STEP #7**

### **SLIDING BOOKCASE VISUAL PART REFERENCE & ASSEMBLY**

Assemble Left and Right Sliding Cabinets as shown below. Attach backs with 1 3/4" Wood Screws, from the back side, into 25, 26 and 29 (3 in each shelf).

Fasten 2"x2" Angle Brackets over top back corner of 29 and 30 as shown below using 8x3/4" Flat Head Wood Screws. Brackets are not included.

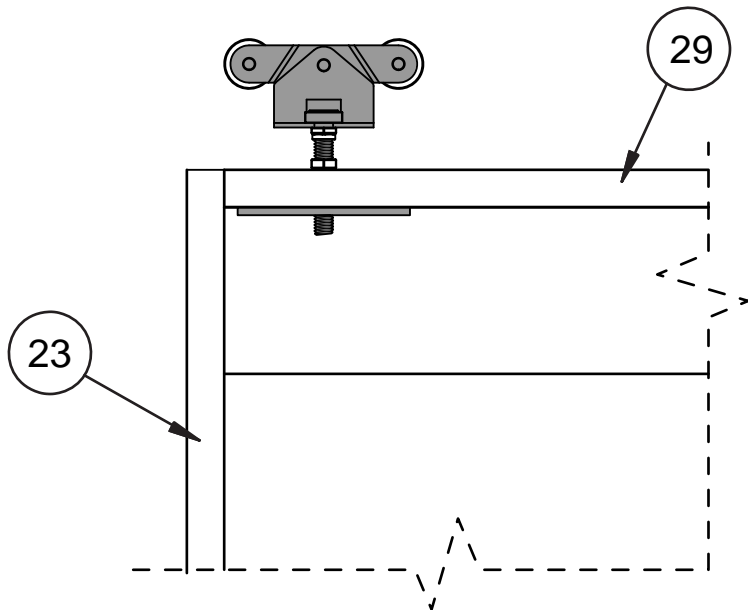
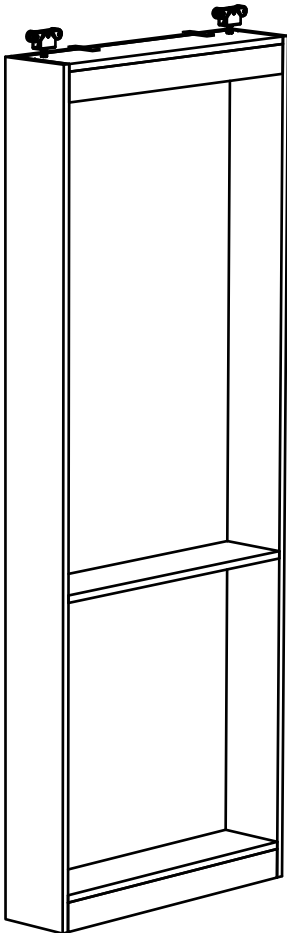
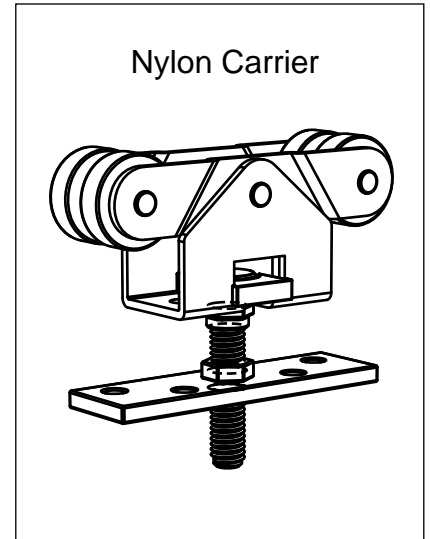
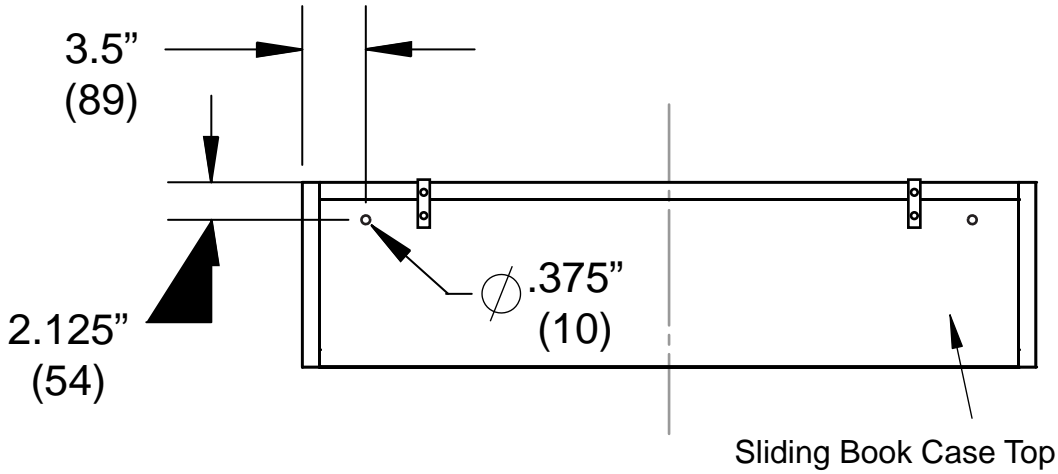
**NOTE:** Left and Right Sliding Cabinets are identical and have the same numbered parts. Do not place the Adjustable Shelves (27) at this time; they will be added later.



# **STEP #7**

## **INSTALL NYLON CARRIERS**

Drill 3/8" (10mm) holes in the tops of the Sliding Book Cases as shown below. Screw Nylon Carriers through the top, into the threaded plates. Do not tighten nuts at this point.

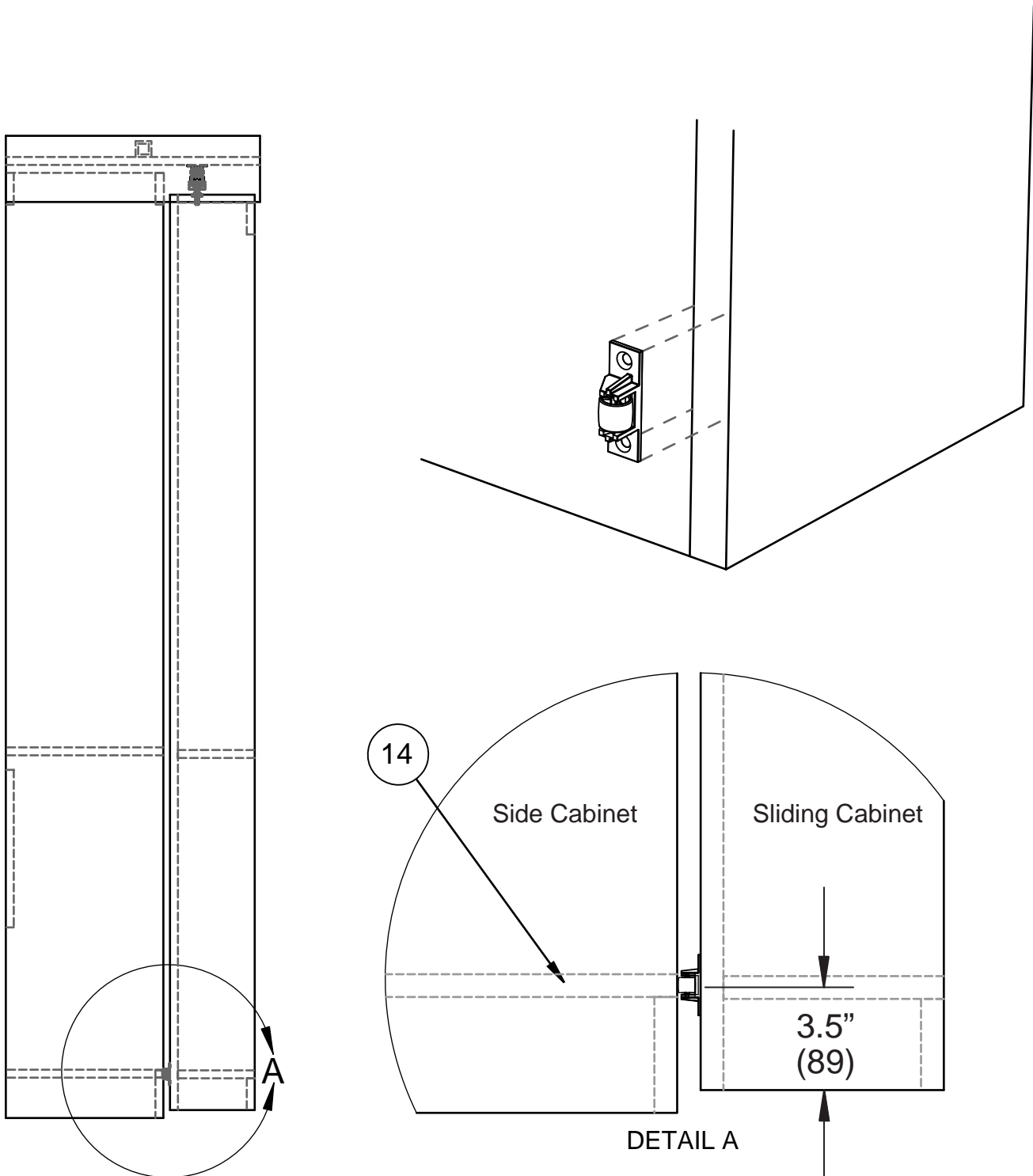


## **STEP #7**

### **INSTALL SLIDING ROLLERS**

Install (2) Sliding Rollers to the back bottom side of each Sliding Cabinet approximately 3.5" (89) up from the bottom of Sliding Cabinet (opposite of the Deck, #14) to the center of the rollers. More important, be sure that rollers will line up on the Front Toe pieces of the Left Side, Right Side and Bed Cabinets (If they are too high they will not function properly).

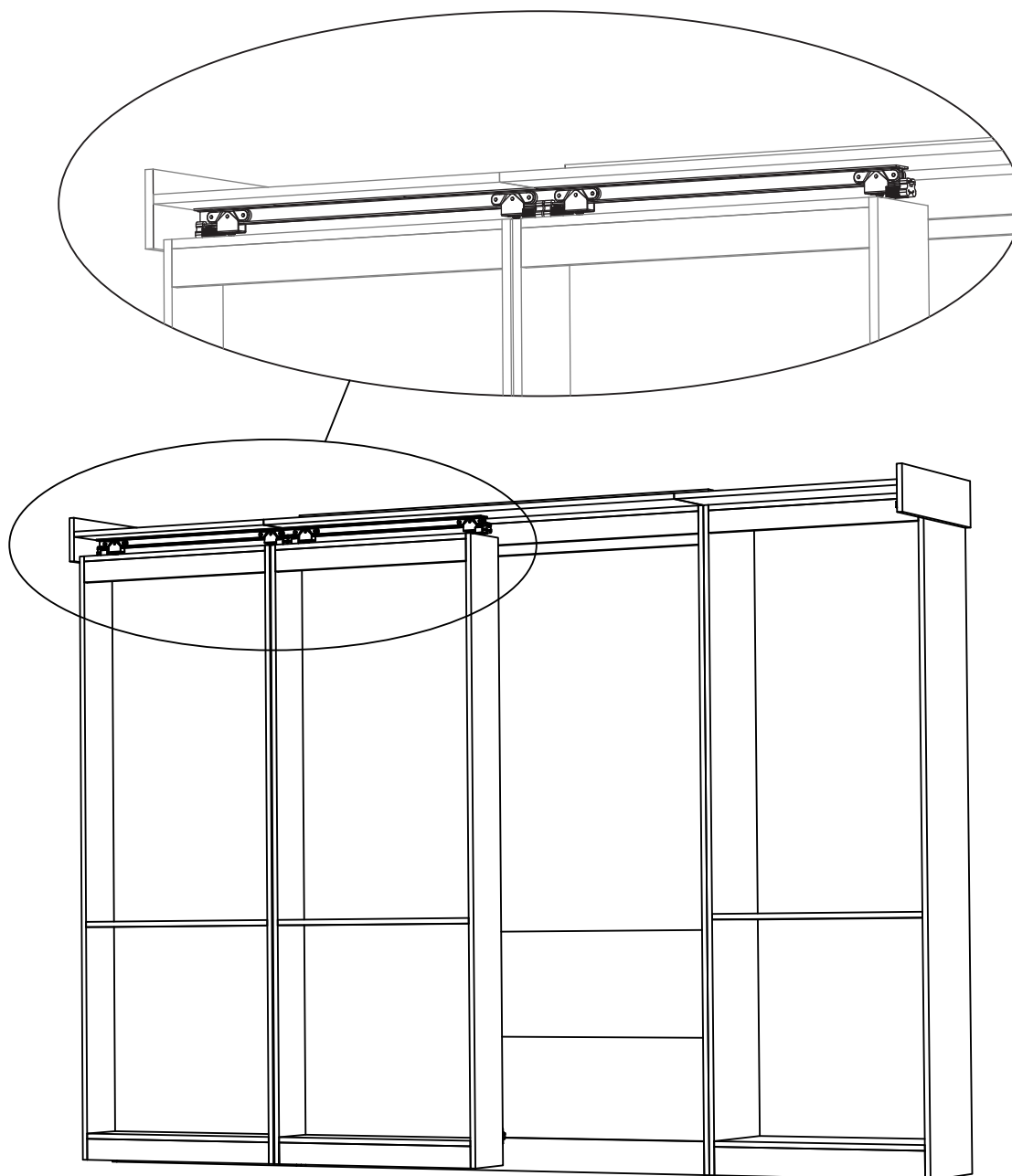
NOTE: Sliding Book Cases are not on track yet. Image below is only for future reference.



## **STEP #8**

### **MOUNT SLIDING BOOK CASES**

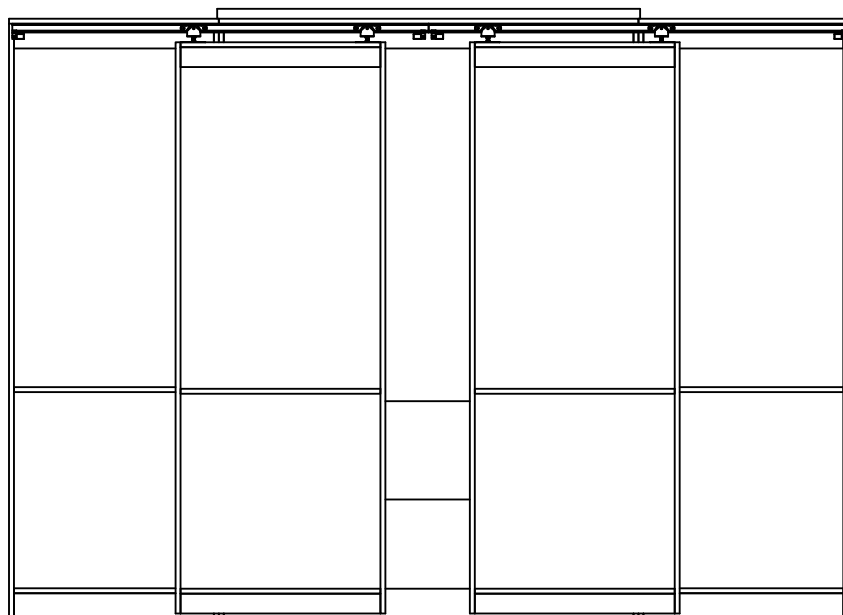
Hang one Sliding Book Case on Left Track. Next, slide on two Rubber Safety Stoppers back to back but do not secure. Hang the second Sliding Book Case and the last Rubber Safety Stop. Both Book Cases and all 4 Safety Stops should be on the left Aluminum Track at this point.



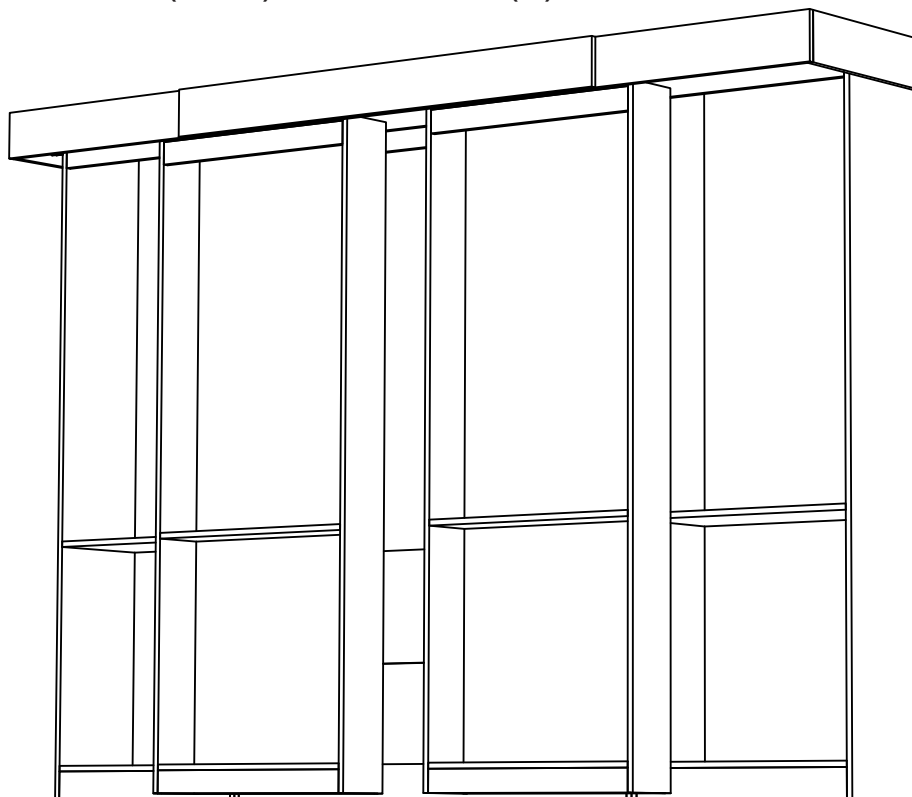
Next, hang right side of Aluminum Track so that it butts up against the left side, in the center of the Bed Cabinet.



Using the adjuster bolts on the 4-wheel Nylon Carriers, level and square the Sliding Book Cases. Tighten the Rubber Safety Stops in their proper positions.



Attach Front Valances (8,20), and Nailer (9).



Install all adjustable shelves in cabinets and book cases.  
Install Bed Mechanism.