



# OUTWATER PLASTICS INDUSTRIES, INC.

24 River Road, P.O. Box 500, Bogota, NJ 07603-0500  
Phone: 1-800-631-8375 • Fax: 1-800-888-3315 • www.outwater.com

## Installation Instructions PDS-LE-220-BK PDS-NL-300-BK

### CAUTION

Read all instructions carefully before using to prevent risk of fire or electric shock.

### WARNING

To reduce the risk of FIRE, ELECTRIC SHOCK, OR INJURY TO PERSONS

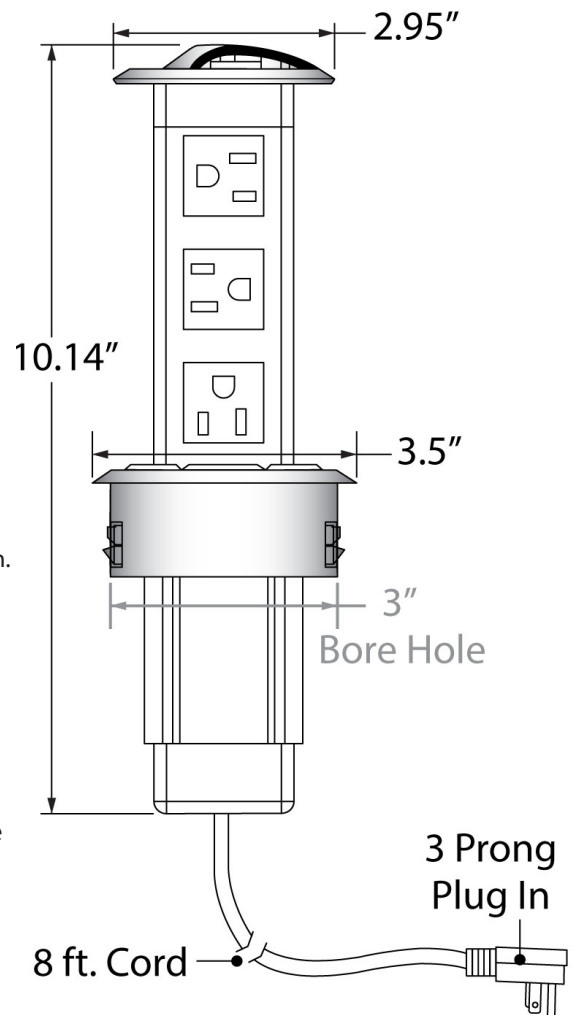
1. Indoor use only.
2. Do not use extension cord to connect the unit.
3. Do not use the receptacles on the unit for connecting devices over 12A.
4. Do not try to open the unit for any reason.

### FEATURES

1. This unit can be pulled up for easy-access panel and pushed down when not in use.
2. 2 x 120V AC receptacles for easy-access. Rating: AC 120V, 60 Hz 12A
3. USB 2.0 hub with 2 x downstream ports and type B upstream port on the bottom.

### INSTALLATION

1. Bore a 3" hole on the desktop for installation. Please ensure that there is at least 12" of clearance on the bottom from the top of bored desktop surface.
2. Unscrew the plastic screw by turning it counterclockwise, and then remove it from the unit.
3. Slide in the unit from the top of the desktop, and then screw in the plastic screw from the bottom side of the unit. Turn it clockwise until the unit is secured to the desktop.
4. Use a USB 2.0 cable to connect from computer's USB type A port to the USB type B port on the bottom of the unit.
5. Plug in the unit to a grounded wall outlet to finish the installation.
6. Please contact Outwater Plastics at 1-800-631-8375 for assistance if have any questions during installation



\* PDS-NL-300-BK shown