



Striplox™ 90D 98

Makes assembly easy

The Striplox product range of innovative, award winning and internationally patented joining solutions are ideal for use with a wide variety of substrates. By using Striplox designers, installers and manufacturers are able to re-think assembly processes.

Designed for any 90° joint – mitre, box and flush joints are made simple and fast with the precise Striplox 90D system. A must use product for achieving the highest level of client satisfaction. The perfect joining solution!

Striplox 90D makes all joining jobs faster and simpler. With unmatched cost savings from transportation to labour costs directly benefiting the end user. These savings are achieved by enabling quick and easy assembly on site or intuitive pre-assembly in the workshop providing an effortless clip together operation with no tools or loose fasteners required. Strength and durability are foremost in this unique design as the load capacity of the system is distributed over the entire product.



Benefits

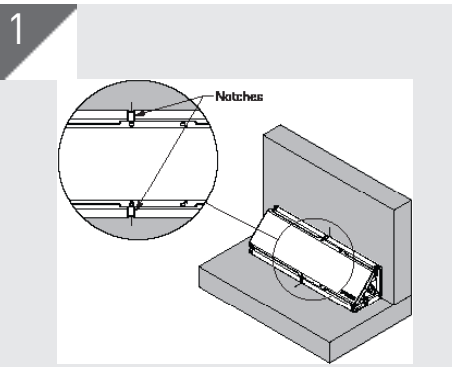
- Eliminates damage – install panels, bulkheads during final build
- Lower transportation cost flat-pack
- Lower labour costs on site assembly
- No tools or trade skills required for assembly
- Designed using the internationally recognised 32 system
- Strength, durability and versatility
- Cabinetry or panels can be fitted permanently or removed and re-used with ease
- Variety of mounting options including glue and or screw fix

Applications

- Bulkhead and kickboard installation
- Wardrobe installation
- Furniture construction and interior fitting - chairs, tables, book shelves, etc.
- Shop fitting displays and signage
- Exhibition and trade events
- DIY garden shed and Patio

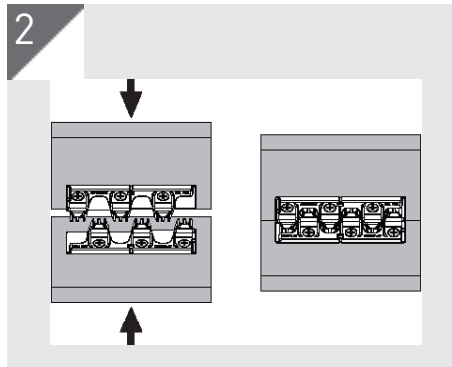


How it works



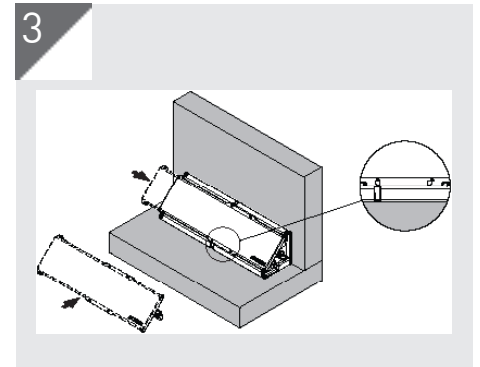
Installation

Align notches on the assembled 90D 98 to center lines marked on substrate. Fasten with 8G screws for full load capacity.



Assembly

Bring the substrates together as shown. The Hooks of the 90D 98 self align with each other to aid with a fast and easy assembly.



Completion

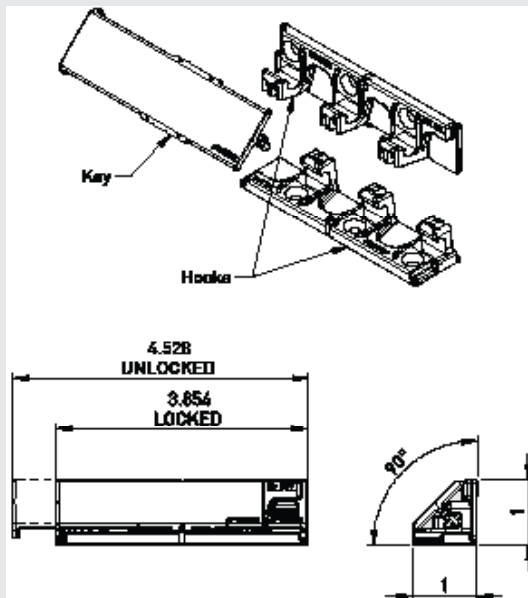
Due to the unique design, the key only need to travel one pitch for full lock-up. Note unlocked and locked padlock icons on the Key. No tools required.

Specifications

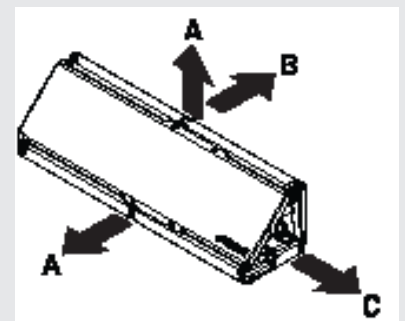
Material: High Strength Reinforced Nylon Colour: White or Black Fixing: 8G Screws (6x) or Glue *Ensure sufficient screw embedment in substrate. *Tested using Particle Board and fixed with screws.	Direction	Indic. Load Capacity
	A	440 lb
	B	145 lb
	C	440 lb

- Refer to Mounting Data Sheet for full dimensions
- Refer to Installation Guide

Dimensions



Load Direction



Proudly Australian Designed, Owned and Manufactured

Striplox products are designed and tested for a range of applications. Product use is subject to variable materials and conditions. Technical information and load capacities are a guide only without warranty and Joinlox will not be liable for any subsequent damage or loss from the use of the products or this information.