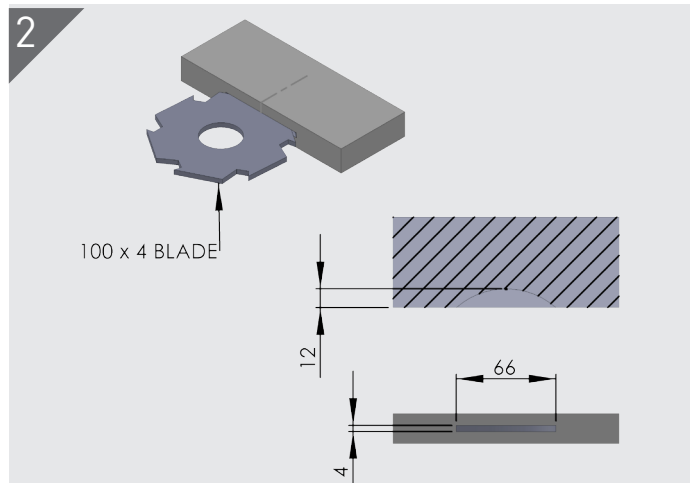
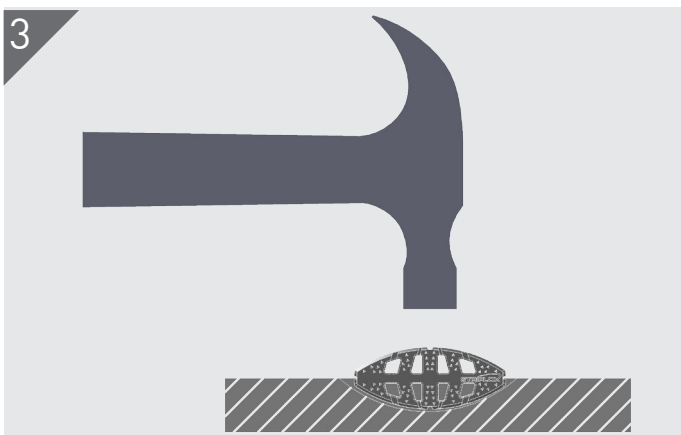


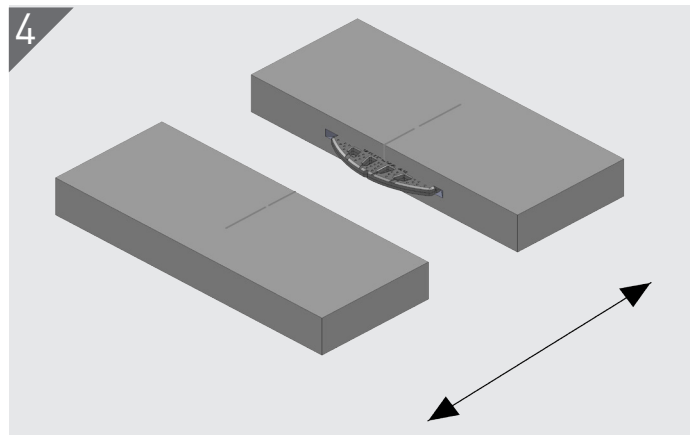
1 Mark out position on both surfaces to align.



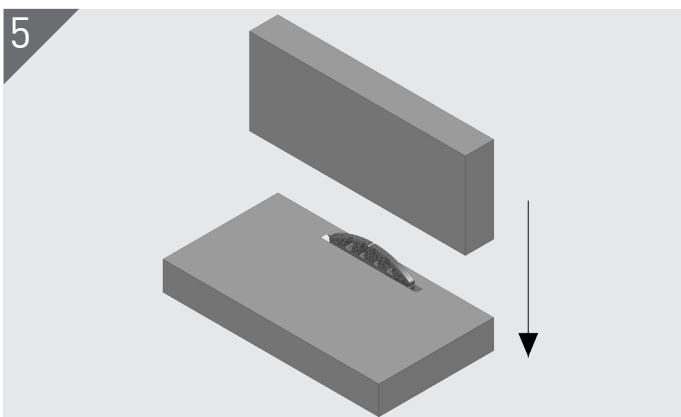
2 Set depth stop to #20 on Biscuit cutter and plunge in on centreline position or cut position with router using 4mm bit.



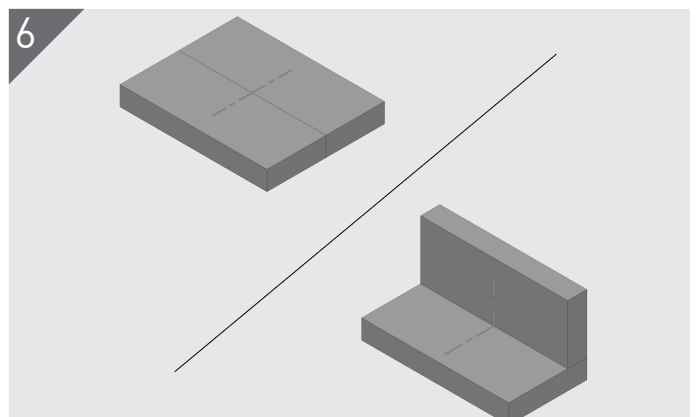
3 Position Biscuit at centreline and knock in with hammer, unique grips will hold in place (no glue required). Glue may be used (CA). Glue will travel into void areas.



4 Position both surfaces together aligned and move together (180 degree joint).



5 Position both surfaces together align and move together (90 degree joint).



6 Result is a tight connection (glue may be required along surface edge).