

Installation Guide

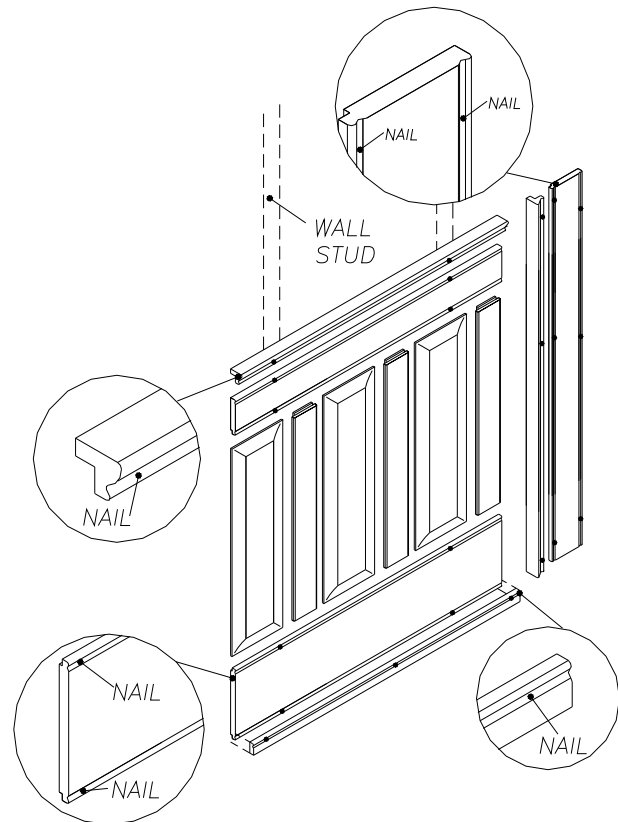
Table of Contents

Important Tips	2 - 4
Installation Best Practices	5 - 6
Glossary of Terms	7
Pre-Installation	8
Room Layout	
Classic Traditional [®]	9
Classic American [®]	10
Classic Beadboard [®]	10
Installation	
Wainscot	11
Full & Multi-Tier Wall	12
Stair Wall & Columns	13
Installation Details	14 - 15
Finishing & Maintenance	16

IMPORTANT TIPS

Layout and Installation Tips

1. Plan and confirm panel system wall terminations. Panel systems ending at outside corners or an open wall location will require end molding. Please refer to Important Tips (Fig E - Pg.3). Terminations at existing casing refer to Important Tips (Fig. C & Fig. D - Pg.3)
2. Miter the rails, cap and shoe at all inside and outside corners.
3. Stiles that meet on outside corners should be over lapped. For outside corner detail please refer to Important Tips (Fig. F - Pg.4)
4. Stiles should be butt together at inside corners with cut edges against the corner.
5. Level the base rail correctly and all other parts will follow.
6. Try to have outlets & cover plates land on the flat part of a panel or stile or in the 8" rail.
7. Use sharp saw blades and drill bits for good clean cuts! Make cuts on stiles with the "good" side facing down when using a circular saw. Work with the "good" side facing up when using the jigsaw or table saw. Use a "fine" tooth saw blade in both saws.
8. Hide your nail holes whenever it is possible, or minimize them.
9. If you are using a hammer and nails, remember to pre - drill the nail holes part - way through the moldings. This will make the nailing go much easier!
10. Importantly, take your time, measure twice and cut once.



***Nail in the grooves of the system.
Never on the face of the panels or stiles.***

Fig. A

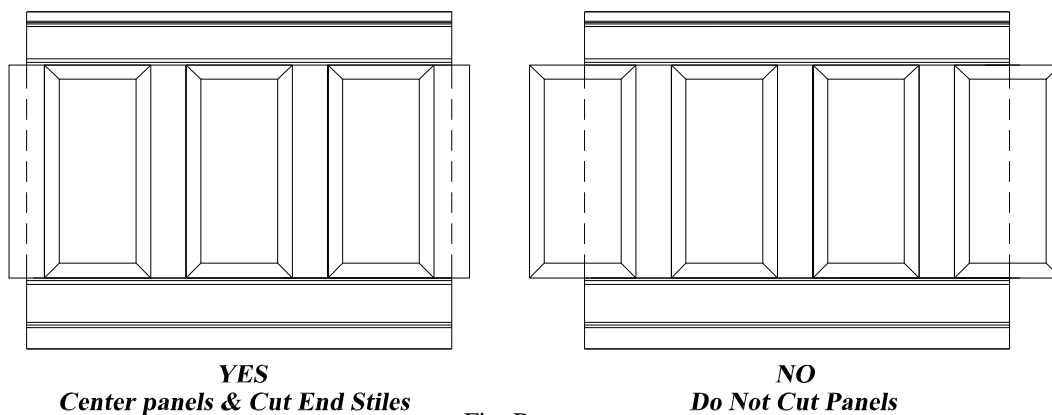


Fig. B

IMPORTANT TIPS

Creating a 90-degree miter return on end of cap.

Step 1

Miter two cap pieces as shown.

Step 2

Glue and nail pieces together to create a 90-degree return.

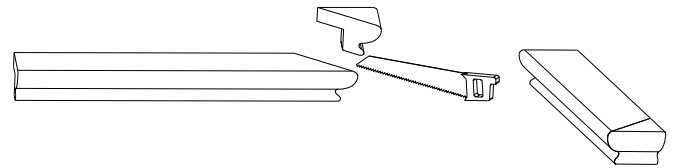


Fig. C

Notch the cap return for window and door casings

Step 1

Notch cap-miter return to match casing profile.

Step 2

Install cap over rail and against casing.

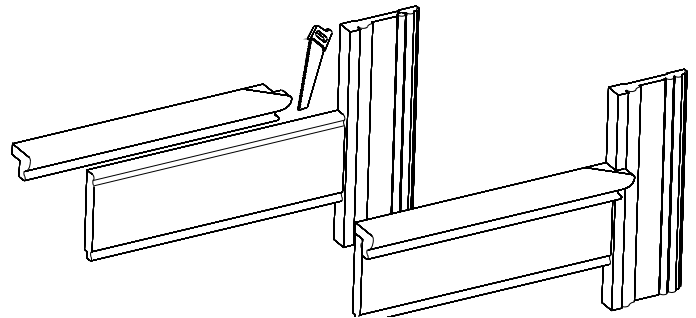


Fig. D

Use Cap as molding to create finished ends.

Step 1

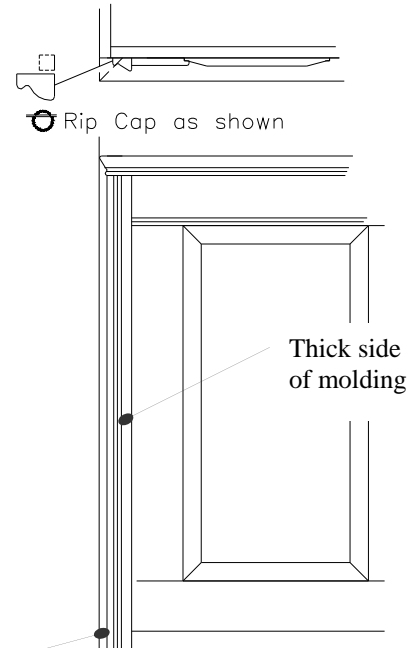
Rip the back leg off cap as shown to create end molding.

Step 2

Position the modified cap vertically as shown. Thicker side towards panel system with the smaller edge at least 5/8" to 7/8" from finished wall edge or determined stop point. Place a line on the thick side of molding. This line references the start point of the base rail, stile, and top rail.

Step 3

Install standard cap with return over rail and over the modified molding for finished end detail.



Thinner side of molding edge.
Space 5/8" to 7/8" from
finished wall end or determined
stop point.

Fig. E

IMPORTANT TIPS

Outside Corners

Three options for adjusting stile widths at outside corners.

Step 1:

Rip 3" or 10" stiles as shown and glue pieces together to get proper width.

OR

Step 2:

Adjust one stile width as shown to right. Rip other stile at 45°, 1/8" wider than needed. Rip again at 90° to final width.

OR

Step 3:

Adjust one stile width as shown to right. Increase one rabbet width to 1/2" using table saw. Rip other stile to width needed.

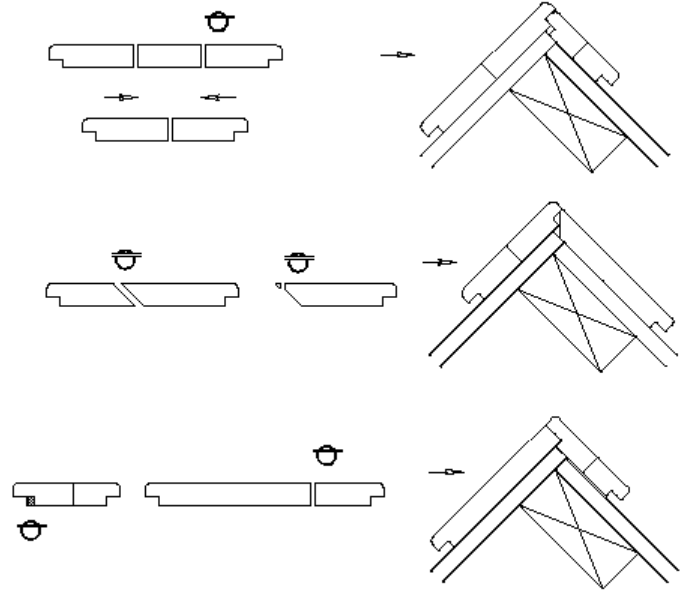



Fig. F

Cutting 10" Stile Widths

Step 1.

Some panel systems may require stiles wider than standard 3" or less than 10". In this case 10" wide stiles are supplied. These stiles need to be field cut to project layout dimension requirements.

Step 2.

End stiles label with  require material to be removed from the center and remaining pieces must be glued and biscuited together to form new overall width. (Fig. A – Pg.4)

Step 3.


End stiles label with  require material cut from one side therefore leaving a factory edge that will accept a panel. These may be located at outside corners, inside corners, and at existing casings. (Fig. B or C – Pg.4)

Fig. G

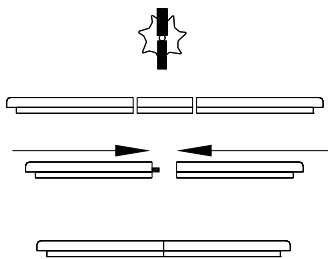
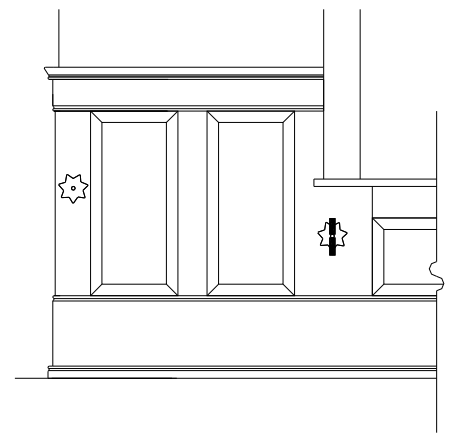


FIG. A

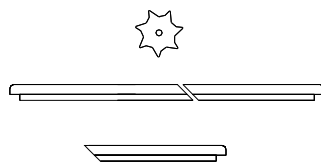


FIG. B

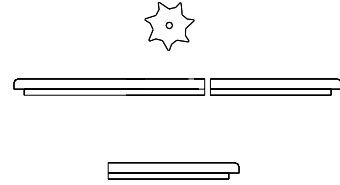


FIG. C

INSTALLATION BEST PRACTICES

These are intended as installation 'best practice' guidelines and recommendations.

Please read completely before starting work.

Before you start / environmental acclimatization

Although products constructed with engineered wood perform more uniformly than their solid wood counterparts, changes in dimensions occur due to changes in relative humidity and temperature. For this reason, the components must be conditioned in their final environment (temperature and humidity) for at least 3-4 days prior to installation (this is especially important for lineal material). For best results, all boxes should be opened and all components removed from the packaging and stacked flat with spacers between the pieces. Note that the components are made with premium wood veneers and will have natural variations in grain, color, texture, etc. These variations are the essence of the wood's beauty and romantic appeal.

Storage

Components should be stored indoors, away from water, on a flat, level surface with adequate support to prevent sagging – just as should be done with all fine wood.

Product use

Products should not be installed where it is likely to come into contact with water, or where the temperature is likely to exceed 120 degrees Fahrenheit for extended periods of time. As is the recommended practice for all fine wood products, they perform best when the relative humidity of the inhabited space is maintained at 35-50% relative humidity.

Wall preparation

Walls should be reasonably flat and plumb, but do not need to be smooth. Special blocking is not required. The system is designed for installation over drywall, plaster or wood. Electrician should leave 12"-18" extra wire loop at receptacles to allow for later relocation if necessary. Receptacles should be mounted proud of wall surface by 3/16" (Classic American®), 3/8" (Classic Modern®) or 1/2" (Classic Traditional® and Classic Beadboard®) to allow for panel thickness.

Installation

1. Inspect the wall for flatness. Shimming or skimcoating the wall may be required if the wall has excessively high or low spots. Check floor for level. Identify high and low spots along walls to receive paneling. Locate studs and mark on wall.
2. For applications in high humidity areas such as bathrooms, back prime components with a high quality oil based primer/sealer. For Paint-grade product, topcoat shall be low porosity oil based semi-gloss paint.
3. Check your layout drawings and materials list (provided by your designer) against your on-site materials and be sure you have all components for the job. Check the dimensions noted on the drawing against the site conditions and make any necessary adjustments in the layout.
4. Install the bottom rail (usually 4" or 8"– see layout drawing) one half to five-eighths inch above the finish floor elevation. Make sure this rail is level, as it will determine the squareness of the subsequent installation.
5. To insure joints in cap, rail and shoe components remain tight use a 45-degree scarf joint, or biscuit. Wood 'yellow' glue should be applied to corner and inline cap, rail and shoe joints.
6. Apply a bead of construction adhesive to the back of the rail before installing. Construction adhesives such as Liquid Nails or PL400 can be used.

7. Fasten the rails to the wall with a pneumatic nailer or trim-head screws at wall stud locations. **Place nails in beads in rail and shoe, not in flat face.**

Recommended fasteners* for pneumatic tools are:

	4d (for cap)	6d	8d (for rails)
Stanley-Bostitch	FN1524	FN1532	FN1540
Senco	DA17	DA21	DA25

*or other manufacturer's equivalent.

Recommended screws: #7 x 2 1/4" trim head screws; pre-drill 1/8" pilot holes
 Hammer & nails: 4d for cap, 8d for rails. Pre-drill all nail holes.

8. Apply a liberal amount of construction grade (PL400, Liquid Nails, or equal) adhesive to the back of the panels and stiles and insert them into the groove in the bottom rail. The adhesive serves three important functions: 1) acts as a self-leveling shim; 2) creates a slight back pressure on panel and stile components to insure tight engagement of these components with the rail, and 3) aids the installer during installation, by keeping panels affixed to the wall. Do not face nail panels or stiles to the wall. Securing the panels with adhesive will prevent rattling and give the installation a solid feel.
9. ***For professional results, miter-return cap molding at door casings.***

Cutting

The wallcovering systems are made with natural wood veneers bonded to an engineered wood substrate. Components will cut like wood, however, a sharp carbide-tipped blade is recommended. To avoid blowout, the blade should always cut into the veneered surface. When using a table saw, cut face-up; when using a circular saw, cut facedown. You may get better results by scoring the veneer with a utility knife prior to cutting.

Blade recommendations:

- Alternate face bevel, hollow ground, or high angle alternate top bevel (>15 degrees)
- 5 degree side clearance
- Positive hook of 15 degrees or greater
- 60 to 80 teeth (10" diameter blade)

Finishing and Sanding

Unfinished material: Lightly sand all surfaces to be finished and pieces cut after factory shipment (180 grit paper), but take care not to sand through the veneer and never use power sanders or chemical strippers. Fill all nail holes and splices with matching stainable wood filler. Sand product and filler patches smooth with 180 grit paper, taking care not to sand through the veneer. Apply stain, sealer and finish coat, lightly sanding between coats with 220 grit paper. We recommend applying a light coat of lemon oil or furniture oil to replenish the natural sheen, especially in dry environments.

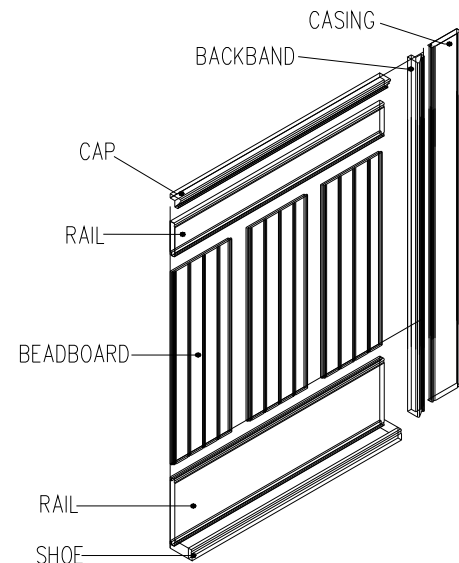
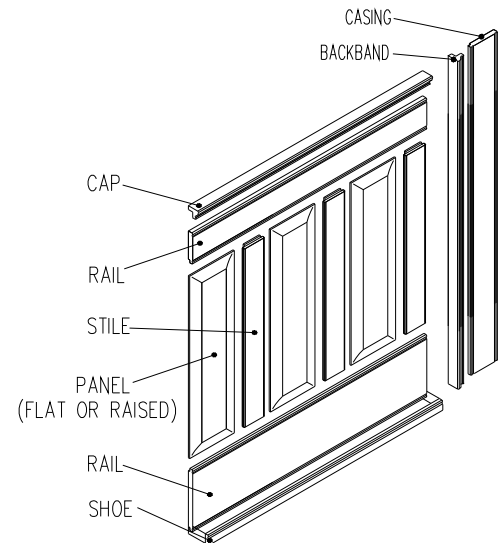
Factory-finished material: Minimize nail holes as much as possible. Fill all nail holes and splices with matching stainable wood filler. Follow instructions included with touch-up kit.

Tools & Materials

Tools Needed/Suggested		Materials Needed	
(At Least)	(Better)		
Comb. Square	Chop Saw	Jig Saw	Construction Adhesive
Hammer	Hand Drill	Slide-Miter Saw	Wood Glue
Clamps	Circular Saw	Pneumatic nailer	8d or 4d Finish Nails
Tape Measure	Hand Saw	Table Saw	Wood Filler or Spackle
Level	Nail Set	Biscuit Joiner	Wood Shims
Utility Knife	Coping Saw	Dividers	

GLOSSARY OF TERMS

Apron	Trim directly under windowsill.
Biscuit joiner	A tool for joining two flat pieces edge-to-edge using an oval shaped wafer (biscuit) slotted into each matching edge.
Base Rail	Paneling component that runs horizontally across the wall, above the floor, into which panels and stiles fit.
Butt	Join two pieces by placing their square-cut ends together without making angle cuts.
Cap	Paneling component that runs horizontally across wall at the top of the paneling system.
Dry Fit	To assemble the panel and stiles without the use of glue.
End Stile	A stile cut to size in the field and used to end a wall section. (usually made from a 10" stile).
Layout	A design or drawing that shows where each panel and stile fits on the wall.
Miter Cut	A 45-degree cut on the end of a piece of molding, e.g. two 45-degree cuts are made to turn a molding around a 90-degree corner.
Nailing Groove	A groove in the rail into which nails are driven.
Out-of-Plumb	When a wall, door jamb, window casing, etc. is not perfectly vertical.
Panel	The primary paneling component that fits into stile and rails.
Plumb Line	The vertical line perpendicular to a level line.
Rail	Generic term for either top or bottom rail
Scribe	To transfer the irregularities of a wall corner, window or door jamb to a stile for cutting.
Shimming	Using a thin piece of wood as a spacer between the wall and Paneling.
Shoe	Paneling component used as a secondary base molding install on to main base rail on the floor.
Stile	Vertical paneling component between panels. Commonly defined As 3" Center stiles (between panels) and 10" End stiles at (panel system ends).
Stud	2" x 4" or 2" x 6" dimensional lumber used in building frames for walls.
Top Rail	Paneling component that runs horizontally across the wall above, and into which the panels and stiles fit.
Veneer overlay	A thin sheet of wood adhesively applied over an exposed edge of core material to provide a finished surface.



PRE-INSTALLATION

WALL PREPARATION

STEP 1

Clean off the wall where paneling will be installed. Remove all existing baseboard moldings and any other items that will interfere with installation of the paneling.

STEP 2

Check for unevenness in the walls using a long, straight piece of lumber or a level.

STEP 3

Remove the high spots by scraping or sanding off excess plaster. For extremely uneven walls, it may be easier to level them with a thin coat of joint compound applied to low areas.

STEP 4

For extremely low spots on the wall, the paneling can be shimmed out by tacking on thin tapered pieces of wood or cedar shingles to the wall behind the paneling prior to setting the panels.

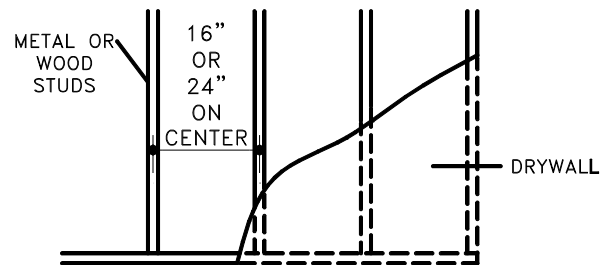
FINDING WALL STUDS

Nails should be seated in solid framing material such as wall studs.

Note: For buildings with steel studs, use “trim head” screws for fastening application.

STEP 1

Find wall studs by using an electronic stud finder or by tapping a finishing nail into the solid sounding part of the wall that will be covered by paneling.



STEP 2

Wall studs are usually 16" apart from center to center. Mark stud locations on the wall by drawing a plumb line from a height of 32" or 36" down to the floor, centered on each stud location.

STEP 3

Some old houses don't have studs. To secure paneling to non-stud walls, angle nails in opposing directions and use construction adhesive between all paneling parts and the wall.

ACCLIMATION

Although products constructed with engineered wood perform more uniformly than their solid wood counterparts, changes in dimensions occur due to changes in relative humidity and temperature. For this reason, it is recommended that all components must be conditioned in their final environment (temperature and relative humidity) for at least 3 to 4 days before installation. For best results, all boxes should be opened and all components should be removed from their package and stacked flat with spacers between the pieces.

STORAGE

Components must be stored indoors on a flat, level surface, with adequate support to prevent sagging - just as should be done with all wood.

PRODUCT USE IN HIGH-HUMIDITY AREAS

If the components are to be used in an application where high humidity is likely, such as bathrooms and finished basements, all surfaces (face, back, and edges) must be sealed with a high quality wood sealer or primer, prior to installation and finishing. Priming and sealing is the responsibility of the installer.

New England Classic® is not liable for changes in dimension, shrinkage, or expansion, due to changes in atmospheric conditions, including temperature or humidity.

ROOM LAYOUT

CLASSIC TRADITIONAL®

STEP 1

Measure the wall from the left corner to the right corner for total length.

STEP 2

Divide this total length in half to find the center of the wall, and mark it with a pencil.

STEP 3

Take one of the raised panels and lean it against the wall with the center of the panel lining up with the pencil mark on the wall.

STEP 4

Take a 3" stile and lean it against the wall next to the center panel.

STEP 5

Make sure that the 3" stile overlaps the panel by the amount of the notch.

STEP 6

Take another panel and lean this against the previous stile. Continue this sequence heading towards the corner. You only have to do this on one half of the wall.

STEP 7

When you reach the corner, the last piece to be set in place has to be a 3" stile or a 10" stile, not a raised panel. If the last piece turns out to be a raised panel, then go back to the center of the wall and replace the starting panel with a 3" stile. Center the 3" stile on the center mark on the wall, and begin the process again - working towards the corner. This will make the last piece that won't fit—it will need to be trimmed—a 3" stile or 10" wide stile. Once you have done this, you have established the layout or placement of the panels for that wall. The two stiles, which go into the corners, will have to be cut to fit the amount of exposed wall to the corner. Remember to add the 5/16" overlap on the raised panel.

STEP 8

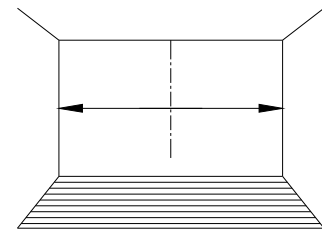
You can "slide" all the parts to the right or left slightly, if this will help other parts, which need cutting in and around windows or outlets.

STEP 9

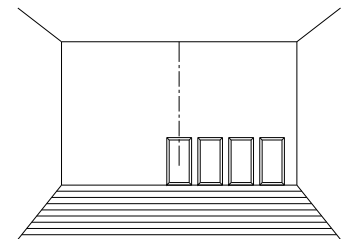
Under windows, a single panel should be turned on its side, and centered on the window width. A 10" stile should be cut to the proper width to fit between the panel and the bottom of the windowsill. A 10" stile should be located on each side of this panel, with a corner cut out made to fit tight against the window trim. The original paneling height will continue along the wall from the other side of the 10" stile. For wider windows, use multiple panels under the window, with 3" or 10" stiles between.

STEP 10

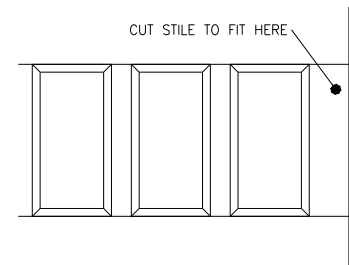
When laying out a wall that has windows, be sure to assemble the parts for under the window first. Dry fit these on the floor, and center them on the window, and then proceed to lay out the balance of the panels and stiles working towards the corners.



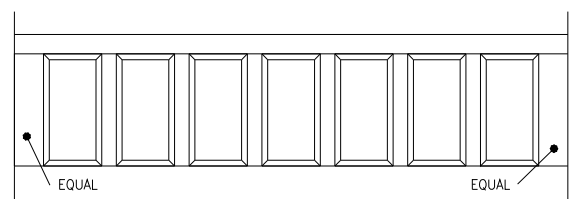
STEP 1-2



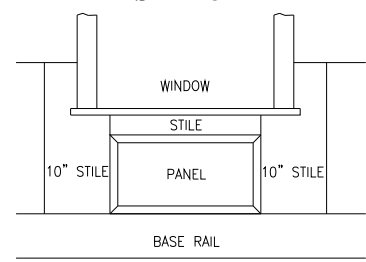
STEP 3-6



STEP 7



STEP 8



ROOM LAYOUT

CLASSIC AMERICAN®

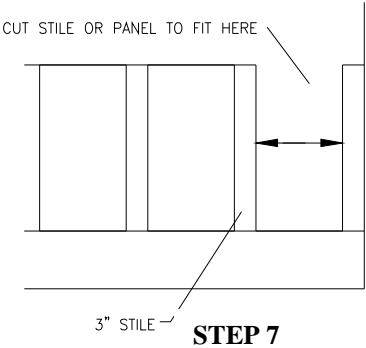
With the Classic American® panel system, either the panels or end stiles may be cut to adjust to the length of the wall. Use of 10" stiles are optional. Follow the Classic Traditional® instructions if you choose to use 10" stiles. These alternate instructions assume end stiles are not used.

STEP 1-6

Refer to Classic Traditional® instructions.

STEP 7

When you reach the corner, the last piece to be set in place and trimmed can be either a panel or stile. Decide which layout is most pleasing to you. If you are trimming a stile to the wall, follow step 7 of the Classic Traditional® layout instructions. If you choose to trim a panel, allow for the 3" wide stile to go into the corner on the other side of the panel (don't forget the 5/16" overlap). A 10" stile can be trimmed to 3" if you do not have enough 3" stiles.

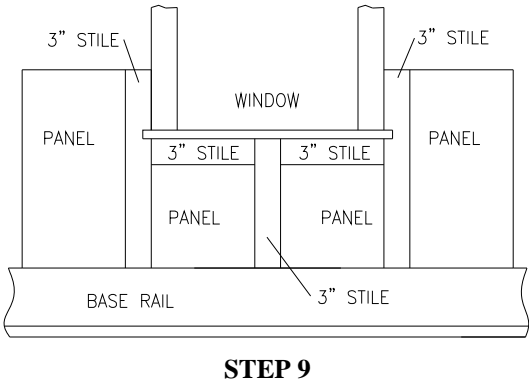


STEP 8

See Classic Traditional® instructions.

STEP 9

Under windows, follow Classic Traditional® instructions; however instead of using a 10" wide stile, trim one or more panels so that a 3" wide stile may be used at each corner of the window and below the windowsill. Ten inch wide stiles can also be trimmed for below the window sill.

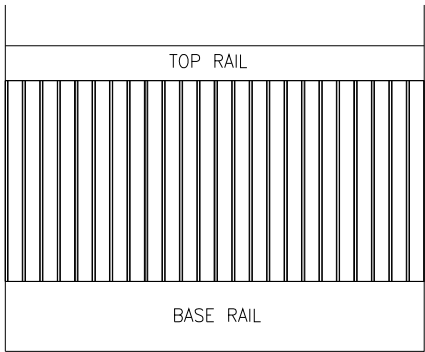


STEP 10

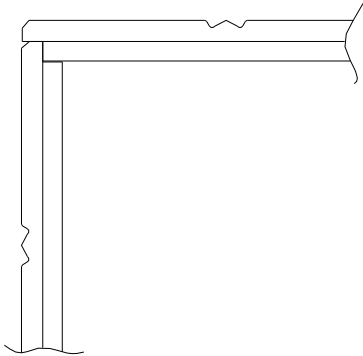
See Classic Traditional® instructions.

CLASSIC BEADBOARD®

Classic Beadboard® paneling does not require a layout. Simply start at one end of a wall and lay in Beadboard panels, cutting around windows, corners, etc. as you move along. If you have outside corners, start the panels there.



Basic Elevation



Outside Corner

INSTALLATION

Wainscot Installation

These instructions assume Classic Traditional® paneling (raised panels). For Classic Beadboard®, follow the same basic steps eliminating stile references. For Classic American® follow the same basic steps, trimming panels if desired according to the Classic American® layout instructions.

STEP 1

Floors are rarely perfectly flat. Start your installation by locating the “high” point of the floor within the room. Do this using a level and a long straight board. If possible, start at the high point with the bottom rail slightly above the floor. If your floor slopes more than 1/2", then place the bottom rail directly to the floor at the high point. The bottom rail can be shimmed up off the floor as you proceed around the room by up to 5/8".

STEP 2

Begin the installation with the bottom rail. Rails should be mitered as necessary prior to installation. Slide the bottom rail into one corner of the wall, and down on the floor or on shims. Attach to the wall along the two “nailing grooves” using 8d finish nails in pre-drilled holes or with the air nailer making sure the rail remains level. Angle the nails slightly downward so as not to interfere with the slot where the panels will fit. Always nail into wall studs where possible. Remember - the gap between the floor and bottom rail will be covered by the “shoe” at the end of the project. Attach another piece of bottom rail, butting it up to the end of the first piece using a small amount of glue in between. For better appearance and durability, use biscuits in the butt-joint or use a 45 degree scarf-joint. Continue installing base rail for the entire room.

STEP 3

Install the paneling from one end. Apply a small quantity of construction adhesive to the corners of the back of each panel and stile as you install them. Cut the first stile that will go into the corner by the amount as determined in the layout process. Set it into the slot on the bottom rail. Next, alternate panels and 3" stiles sliding them tightly together as you move down the wall.

Hint: with a hammer and block of wood, tap the panels and stiles together, to their proper location. This will assure the panels are set correctly.

STEP 4

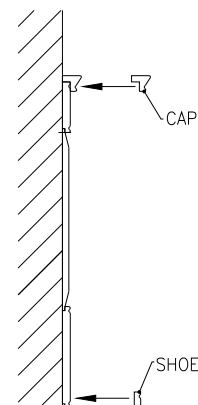
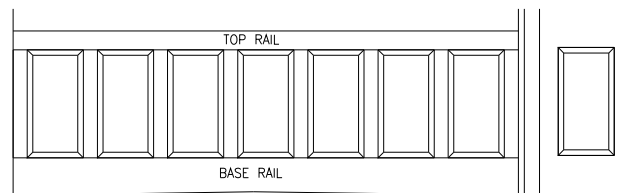
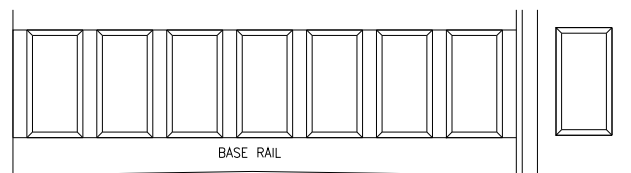
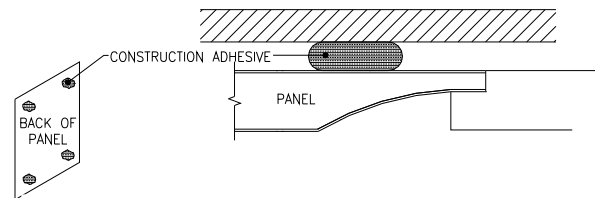
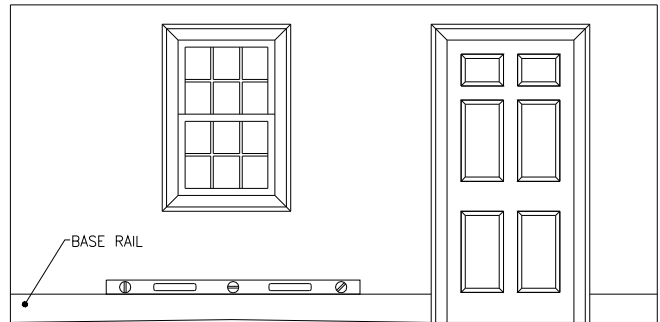
Next, install the top rail, mitering ends as necessary first, to hold the panels and stiles in place. Make sure the slot on the top rail is resting down over the panels, and over the lip of the stiles. Nail the top rail in place along the upper and lower grooves.

STEP 5

Make any miter cuts for cap molding for corners at this time, (see Important Tips page) And/or apply veneer overlay to exposed ends now. Glue the cap in place with construction adhesive. If necessary, nail it along the lower edge in a few places—at least 2" from ends—using 4d finish nails. Remember to pre-drill the nail holes with a small diameter drill bit, but not all the way through. Cut the next piece to length and use a small amount of glue between the two. For best results, stagger the joints between cap, rail, and shoe molding.

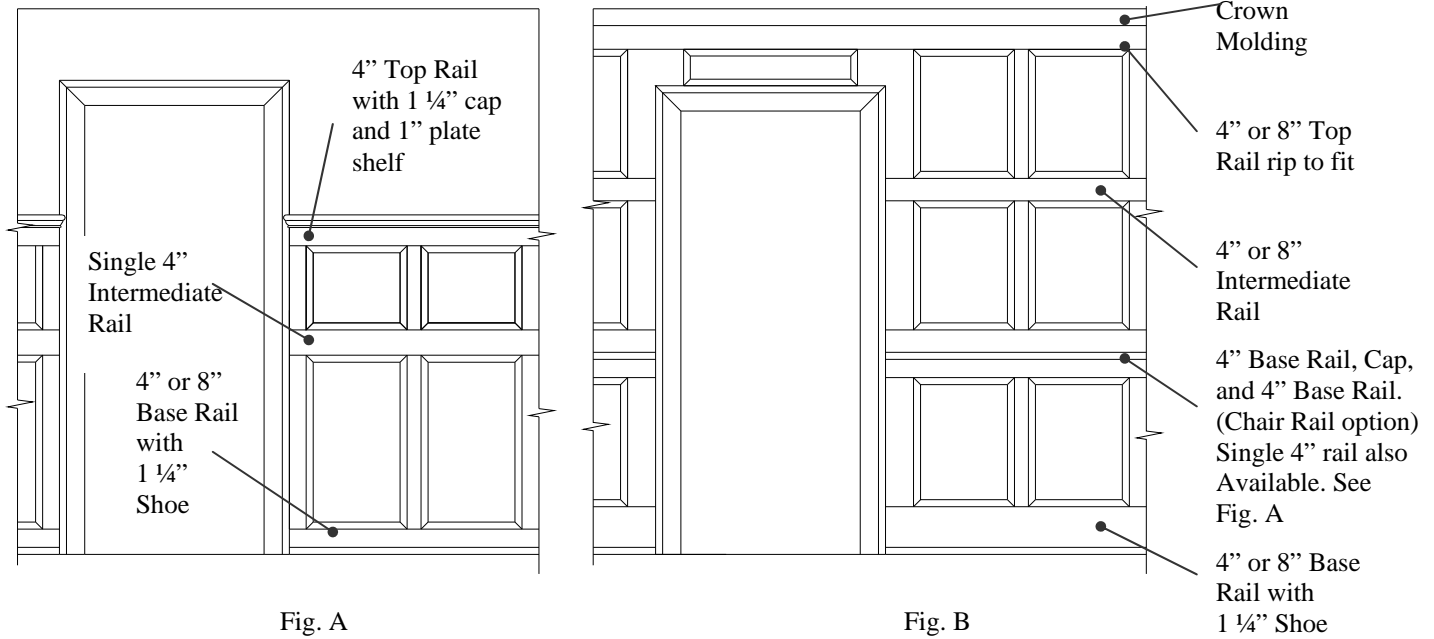
STEP 6

Attach the shoe to the bottom rail using small 4d finish nails. Be sure to pre-drill first. Let this piece of trim “follow” the floor and overlap the bottom rail. If the room is to be carpeted, install carpeting before shoe.



INSTALLATION

Full & Multi-Tier Wall Paneling



Full & Multi-Tier Wall Paneling

Create Multi-tier or Full Wall paneling by stacking layers. In most rooms, two or three layers of paneling will cover the partial or entire wall surface (sometimes known as "library paneling"). The paneling should end a couple of inches from the ceiling to allow installation of crown or finish molding. By using different rail and panel sizes, a variety of wall heights and designs can be achieved. A dimensioned AutoCad design layout is highly recommended for Full or Multi-Tier Wall panel systems.

STEP 1

Above the first row of panels install either the Chair Rail option or a Single 4" Intermediate Rail option (Fig A & Fig B).

STEP 2

Install the second row of panels and stiles. Stiles and panels should line up directly above those in the first row (Fig A & Fig B).

STEP 3

For **Multi-tier** systems that do not extend to the ceiling, install 4" or 8" Base Rail with 1 1/4" cap on top of final panel row. An optional 1" Plate Shelf may also be installed above the 1 1/4" cap for a decorative function and detail (Fig A).

For **Full Wall** systems continuing to ceiling, install a 4" or 8" Intermediate Rail on top of the second row of panels (Fig. B).

STEP 5

For the third row, install panels and stiles into the Intermediate Rail, directly above those in the second row. You may need additional StilePaks® for above windows and doors. Scribe stiles around the headers of doors and windows. If there is less than 12" between the top of the door or window trim and the ceiling, fill the area above the door or window with 10" wide stiles. You can place the stiles horizontally and/or vertically to fill the space. We recommend using biscuit joints on any flush joints between two cut stiles.

STEP 4

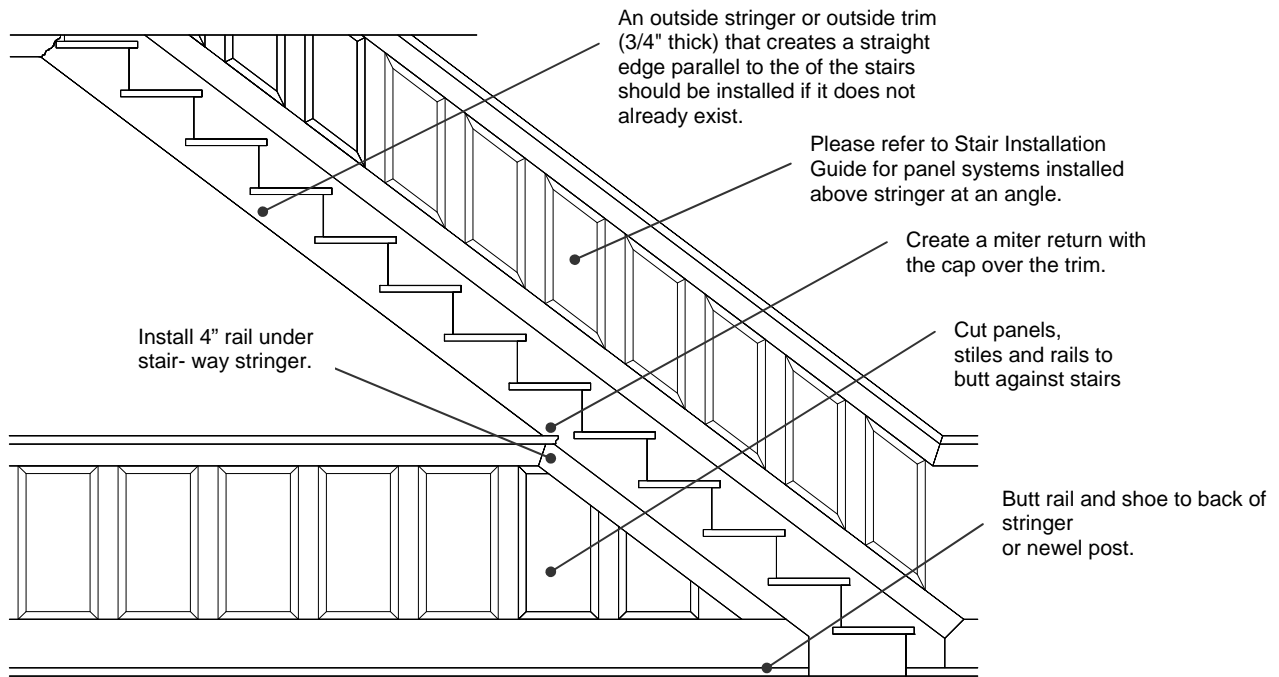
If there is to be additional panel rows, install a 4" or 8" Intermediate Rail above last row of panels and stiles. Install next level of stiles and panels, ensuring that they line up directly above those in the lower row. (Repeat for if needed for more rows)

STEP 6

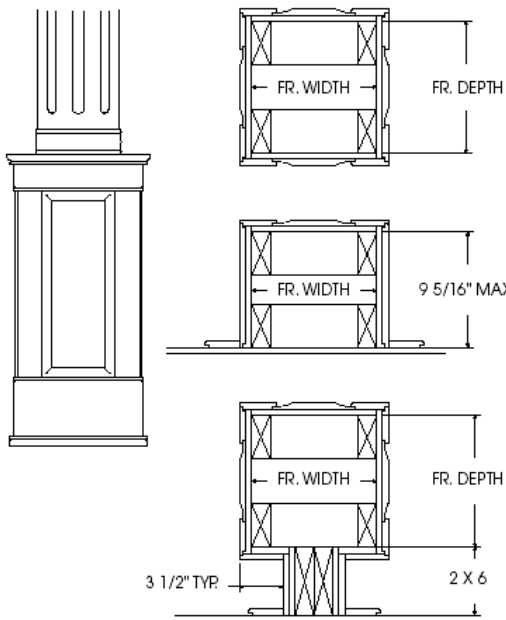
Upon installing last panel row at ceiling edge, field rip rail width if necessary and install the required top Rail. Fill the remaining space with crown molding (not included). You will not need the cap for the last rail completing the panel row.

STAIR & COLUMNS DETAILS

Outside Stair Wall



Pilaster / Columns



To create columns or pilasters that will exactly fit the Raised Panel System components, follow these guidelines.

Step 1

Construct framing structure to the dimensions in the illustrations and table below. Make sure framing is straight with no twists, bends, etc.

Step 2

Cover framing with 1/2" drywall or plywood.

Step 3

Apply 6", 9" or 12" paneling as shown in the illustrations. Use 3" center stiles at the corners.

Note: Column frame by others.

	6" Panels	9" Panels	12" Panels	18" Panels
Frame Width	10"	13"	16"	22"
Frame Depth	10-5/8"	13-5/8"	16-5/8"	22-5/8"

INSTALLATION DETAILS

Inside and Outside Stile Corners

Inside corners (Fig. A) are handled best with a simple “butt” joint, where two stiles overlap each other. To do this, set the first piece into the corner tight against the wall and attach permanently. The second piece to come into the corner will overlap the first piece. If there is a cut edge on this second piece, make sure it is clean and smooth so that it creates a tight fit against the first piece. It may have to be scribed/planed or adjusted to fit correctly. **Note: Rails, Cap, and Shoe products are mitered at all inside and outside corners.**

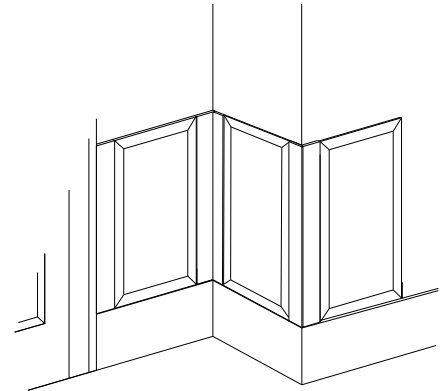


Fig. A

Casing for Doors and Windows

Optional CasingPaks[®] should be installed as shown around doors and windows prior to paneling.

Each CasingPak[®] contains:
 3 pcs - 8' Casing (rail)
 3 pcs - 8' Backband (cap)

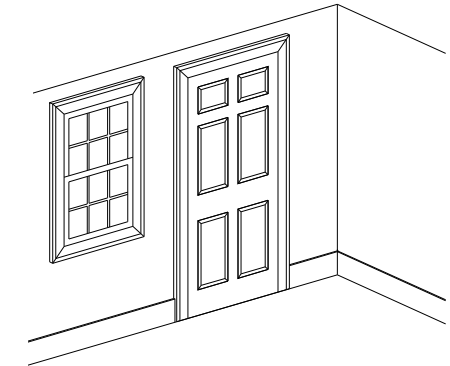
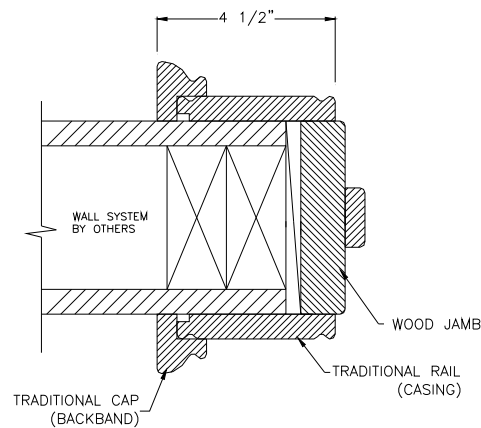
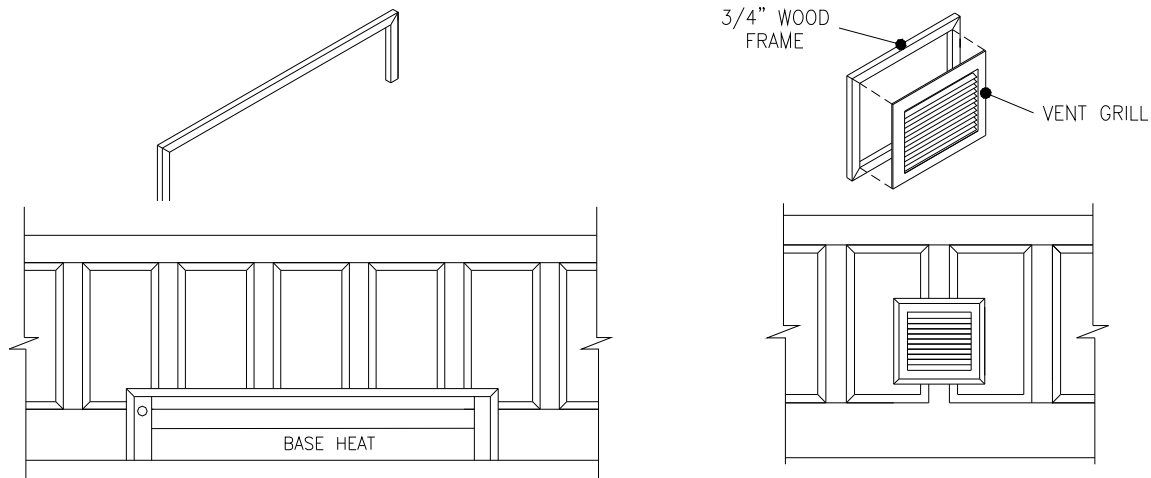


Fig. B

Vents, Baseboard Heating Units, Etc.

If a baseboard heating unit, air conditioner or vent falls in the area to be paneled, frame around it with trim that measures at least 3/4" thick. This will provide a surface for the paneling system to butt against. Panels and stiles should butt against the frame and be secured by nailing into the surrounding wall structure. For baseboard heaters, the best solution is to move them away from the wall and panel behind.



INSTALLATION DETAILS

Outlets and Phone Jacks

If possible, power and cable outlets should be located on a flat part of the paneling system, e.g. on the flat part of a panel, wide stile or rail. If this is not possible, then you can put a 4" x 6" x 3/4" mounting block, slightly larger than the cover plate, around the outlet box. All of the paneling parts can then be butted up to this block.

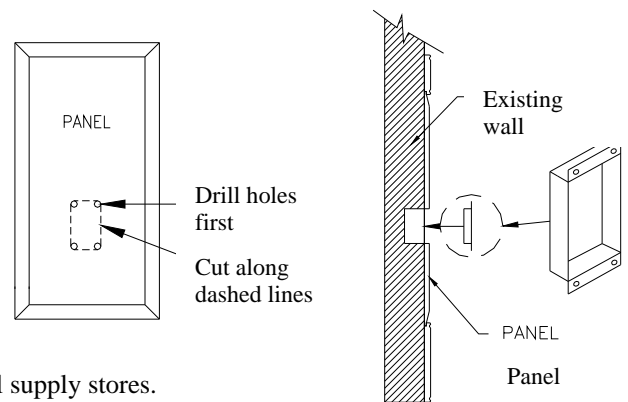
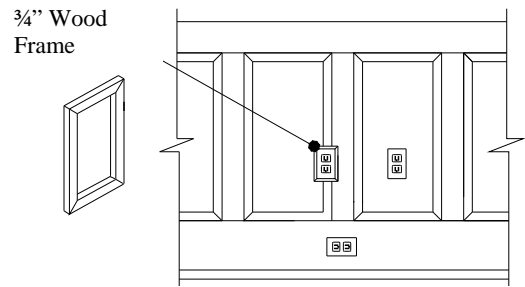
You may want to have an electrician relocate outlets and phone jacks prior to beginning the panel installation.

NOTE: These illustrations show suggested options only. It is the installers responsibility to adhere to all applicable building codes.

Use a jigsaw to cut a rectangular hole in the panel or stile for the outlet/jack box to go through. Drill holes to provide a starting point for the blade. A cover plate will cover the opening around the outlet box. The hole should be notched top and bottom for electrical box screws.

Since paneling adds 1/2" of thickness to your walls (5/8" at rails), we recommend adding a box extender so outlets and jacks are flush with the paneling.

Have an electrician do this work after paneling has been installed. Box extenders are available at most hardware stores, home centers, and electrical supply stores.



Exposed Ends (For wood veneer paneling only.)

Before installing cap or shoe, check to see if ends will be exposed. If so, cover the exposed core with veneer overlay.

STEP 1.

Take a scrap of the molding, and trace the outline of the molding on the paper back side of the veneer tape.

STEP 2.

Cut the veneer with a sharp scissors or utility knife. Leave extra veneer outside of the cut line so that you can trim or sand off to a smooth edge. Cut the veneer overlay so you have enough material for all your patches.

STEP 3.

Clean off the end of the cap or shoe so it is free from dust.

STEP 4.

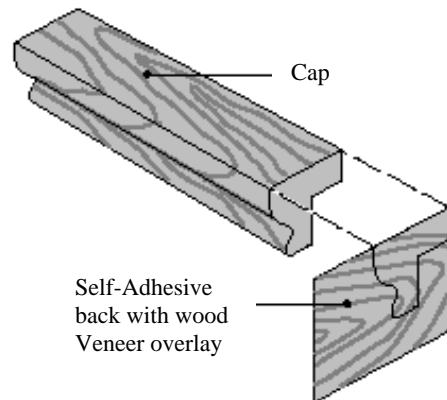
Remove the adhesive backer and press onto exposed end.

STEP 5.

Trim excess veneer from the end using a utility knife and sandpaper.

STEP 6.

Lightly touch-sand the edges, taking care not to sand through the veneer.



FINISHING AND MAINTENANCE

Paintable - Paneling

Note: We recommend that all unprimed paintable panels be primed, then sanded with 180 grit sandpaper prior to installation. It is not necessary to prime the stiles, rail, shoe or cap (or factory - primed panels).

- After priming panels, apply one coat of paint to panels, then sand with 220 grit sandpaper.
 - After installation, fill all nail holes and splices with a paintable vinyl-based spackle and wipe clean with a damp rag.
 - You may need to caulk between the wall and the back of the cap and any other gaps with a paintable vinyl-based caulk.
 - Finish coat all parts together. Paint the panels starting in the corners of the raised panels and brush out to the flat surfaces.
 - **DO NOT SAND STILES, RAILS, SHOE, CAP, OR CASING.**
 - Gentle household cleaners can be used if required. The paneling can be re-painted using normal wall painting procedures. Follow the paint manufacturer's direction. Do not use paint strippers, steel wool or power sanders on this product.
-

Wood Veneer Paneling

Unfinished

- Lightly sand all surfaces to be finished and pieces cut after factory shipment (with 180 grit paper), but take care not to sand through the veneer and never use power sanders or chemical strippers.
- Fill all nail holes and splices with a matching stainable wood filler, or wait and fill the nail holes later with a "color putty" to match the stain.
- You may need to caulk between the wall and the back of the cap and any other gaps with a brown color caulking that matches the color of the stain.
- Sand wood filler patches smooth to the veneer surface with 180 grit paper, being careful not to sand through the veneer.
- Wipe entire paneling system free of dust and fingerprints using a rag and alcohol based thinner.
- Apply stain, sealer and clear finish coat to the paneling, lightly sanding between coats with 220 grit sandpaper, according to the finish manufacturer's directions. Since wood is a natural material, veneer from each tree will accept paint or stain differently depending on where it was grown, its age and other environmental variations. Hence, it is always a good idea to first apply stain to a test piece of paneling, let it dry and evaluate the color. If you are satisfied, then proceed. If not, take the panel sample and stain to your paint store and request assistance in modifying the stain to achieve the desired match with your cabinets or other woodwork.
- While finishing, always ventilate the room with fresh air and dispose of all stain materials and rags in a safe and proper method.

Factory Finished

- Fill all nail holes and splices with a matching color putty or pencil fill stick.
 - You may need to caulk between the wall and the back of the cap and any other gaps with a brown color caulking that matches the color of the stain.
-

Care and Maintenance

- General care, consisting of a light coating of lemon oil or furniture oil in the future will continue to replenish the panel system's natural sheen and provide protection in dry environments. Use of wax polish may cause buildup and dull finish sheen. Ordinary cleaners used for wood furniture can also be used to clean and renew. Do not use paint strippers, steel wool, or power sanders.